

FIGHTER I224.

4X2 / 5-SP AUTO / AIR SUSP.

GVM

12,000KG

GCM

15,000KG

Power/Torque

177KW/745NM

Medium rigid licence required.



5
YEAR WARRANTY

CLASS LEADING 30,000KM SERVICE INTERVALS.

fuso.com.au

FUSO

SPECIFICATIONS

MODEL

A 4x2 1224 LWB 5 Sp. Auto (FK65FLZ1RFAL)

WHEEL BASE

5210mm

GVM (optional)

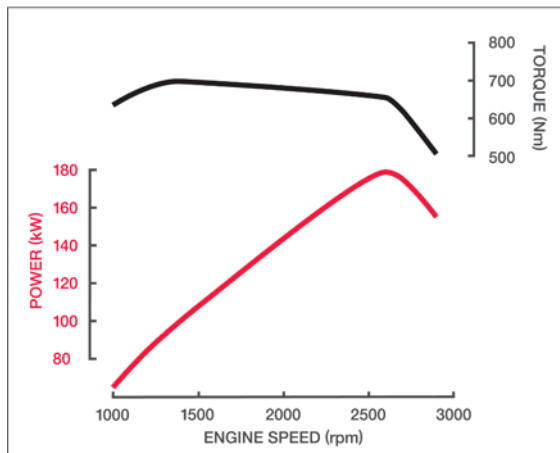
12,000kg

GCM (optional)

15,000kg

ENGINE

Engine Version	FUSO 6M60-9AT1 Diesel
Configuration	6 Cyl. In-line OHC, 4-Valve
Type	Variable Geometry Turbo Charged Air to Air Intercooler
Displacement	7.5 litre (7545cc)
Bore	118mm
Stroke	115mm
Power (ECE R85-00)	177kW @ 2500 rpm
Torque (ECE R85-00)	745Nm @ 1400 rpm
Maximum Engine Speed	2900 rpm
Compression Ratio	16.0:1
Cooling System / Oil Cooler	Water cooled, 23.0L capacity/ Plate type engine oil cooler
Air Cleaner	Paper Element Type with Restrictor Indicator. Vertical Intake Mounted on Clean Air Side (RH)
Emission Control	Selective Catalytic Reduction (SCR) after-treatment system (BlueTec), Positive Crankcase Ventilation (PCV)
Emission Level	ADR 80/03 - Euro 5



FUEL

Injection System	DENSO Common Rail System Electronically Controlled Direct Injection
Tank Type	Rectangular Steel Tank with Locking Cap
Fuel Capacity *	200 Litres
AdBlue Exhaust Fluid Capacity	22 Litres
Notes	*Max Fill to approx 95% of Air Capacity

COOLING

Fan Drive	Thermo modulated continuous control (Viscous)
Radiator	Corrugated Fin with Expansion Tank

ELECTRICAL

Voltage	24V Negative Earth
Alternator Capacity	24V-80 amp
Starter Capacity	24V-5.0kW
Battery Capacity	2x12V, 65Ah/5hr
Headlamp Type	Halogen
Headlamp Capacity	Low Beam 2x70W High Beam 2x75W

TRANSMISSION

Version	Allison Automatic 2500 Series
Type/Speeds	5 Speed
Features	Generation 5 Control Systems
Ratios	1st: 3.512 2nd: 1.896 3rd: 1.439 4th: 1.000 5th 0.737 Rev. 5.086
Torque Converter/Stall Torque Ratio	TC222/1.58
PTO Opening	LH & RH Side
Automatic Transmission Fluid Cooling	Cooler mounted in front of radiator

PROPELLER SHAFT

Type	P8
Universal Joint	Needle Roller

FRONT AXLE

Axle Version	FUSO F500T
Type	Reverse Elliot 'I' Beam
Capacity *	5000kg
Notes	*See MAX LOADING for vehicle capacity.

FRONT SUSPENSION

Type	Parabolic Leaf with Stabiliser Bar and Double Acting Shock Absorbers
Size	1300x70mm Leaves

REAR AXLE

Type	Full Floating Hypoid
Axle Version	FUSO D052H
Capacity*	9200kg
Ratio	5.428:1
Notes	*See MAX LOADING for vehicle capacity.

REAR SUSPENSION

Type	Air Suspension
Details	Trailing Arm with Air Dump Control and Double Acting Shock Absorbers
Air Spring	2x270mm dia.

MAX LOADING

Front	5000kg
Rear	9200kg
Total	12000kg

OPTIONS

Options	R05: Limited Slip Differential (LSD)
---------	--------------------------------------

STEERING

Type	Integral Power Assisted Ball and Nut
Steering Column	Tilt/Telescopic Adjustable with Lock
Ratio	18.0~19.8:1

SPECIFICATIONS

MODEL

A 4x2 1224 LWB 5 Sp. Auto (FK65FLZ1RFAL)

WHEEL BASE

5210mm

GVM (optional)

12,000kg

GCM (optional)

15,000kg

BRAKES

Type	Full Air, Dual Circuit, FUSO Taper Roller, Automatic Brake adjustment, ABS
Size Front	370x150mm
Size Rear	370x150mm
Park Brake	Rear Wheel Spring Actuated
Auxiliary	Exhaust Brake
Compressor	Water Cooled, 340cc Single Cyl.
Air Dryer Model	DU5

WHEELS & TYRES

Wheel Type	7 x Single Piece Disc Rims (Including Spare)
Wheel Size	19.5x6.75DC-147-12t
Wheel Stud Pattern	8x285mm PCD
Tyre Size All	265/70R19.5 140/138M
Spare Tyre Carrier	Provided

CHASSIS

Type	Parallel Channel
Size	230x80x8.0mm
Width	844mm
Tensile Strength	540Mpa

INSTRUMENTS

Gauges	Speedometer with Odometer Tachometer Air Pressure (2) Fuel Level Water Temperature AdBlue Level
Colour Information Display	Fuel Consumption Service Indicators Hour Meter and Tripmeter Oil Level Check
Warning Lamps	ABS Turn Signal High Beam Exhaust Brake Oil Level Ad Blue Low Fuel Low Park Brake Alternator Oil Filter Blockage Engine Control / Cruise Control (ECU) Air Filter Restriction Fuel Filter Water Contamination Door Opening
Warning Lamp/Buzzer	Air Pressure Oil Pressure Engine Overheat / Low Coolant Level

MULTI-MEDIA PACKAGE

Satellite Navigation	Maps with heavy vehicle weight, length, height & hazardous material selectable restrictions with 3 years of Map updates
Colour Display	6.1 inch LCD with touch screen control
Phone Connectivity	Bluetooth® hands free
Audio Visual Entertainment	CD/DVD player and Digital radio DAB+ (also AM/FM for areas not covered by DAB+) USB port for iPod®* & other devices
Reversing Camera Compatible	Display can accept up to 3 cameras#
Notes	* iPod® compatibility requires an additional licensed cable # Cameras available through spare parts

STANDARD FEATURES

Airbag(s)	Driver's Air Bag and Seat Belt Pre-tensioners
Hill Start System	No
Cab Cooling & Heating	Air Conditioner / Heater / Demister
Accessory Power	24V Accessory Power Outlet / Cigar Lighter
Driving	Keyless Central Locking Electric Windows Cruise Control LH Transom Window Fuso Multimedia Unit Cup Holders (4) Rear Quarter Glass Fluorescent Cabin Lamp and Interior Reading Lamps Engine Idle Speed Control
Storage	Centre Seat Storage Console Rear Bunk Storage Pocket Dash Storage Tray 2 DIN Glove Compartment 1 Single & 1 Double DIN Slot for Accessories Overhead Storage Pocket with Lid RH Door Storage Pocket
Cab: External	Roof Mounting Points (max. static load 70kg) Front End-Outline Marker Lamps
Chassis	Chassis Mounted Tool Box Reverse Warning Buzzer

CAB FEATURES

Type	All Steel Forward Control Manual Tilt 44 deg.
Cab Structure	
Mounting	Hydroelastic Susp. 4 Point
Colour	Natural White
Interior	Fully Trimmed
Windscreen	Laminated Tinted
Windscreen Wipers	2 Speed + Intermittent Cycle with Integrated Washer Nozzles
Door	90 degree Opening Angle
Rear Vision Mirrors	Remote / Heated with Convex Spotter (Both Sides)
Seating Capacity	3
Seat Belts	2 ELR Lap Sash, 1 Lap
Seat (driver)	ISRI Air Suspension with Height, Tilt and Dampening Adjustment Integral Headrest and Fabric Trim
Seats (passenger)	Centre: Low Back with Fabric Trim Forward Folding Far Passenger: Fixed Base with Reclining Seat Back, Integral Headrest and Fabric Trim

SERVICE INTERVALS

Interval*	30,000km, 12 Months or 600 Hours (whichever occurs first)
Notes	* based on normal operating conditions and may be reduced when operating under severe conditions.

WARRANTY

Basic/Powertrain	5 Years, 300,000km or 4,000 operating hours (whichever occurs first)
Cab Perforation/Anti Corrosion	3 Years

PERFORMANCE

Turning Circle (kerb to kerb - metres)	18.2
Road Speed (km/h) at Max Engine Speed	115
Engine Speed (rpm) at 100km/hr (top gear)	2514
Gradeability at Rated GVM (theoretical)*	38%
Gradeability at Rated GCM (theoretical)*	29%
Notes	*This is theoretical performance only. Actual performance may vary under different conditions

SPECIFICATIONS

MODEL

A 4x2 1224 LWB 5 Sp. Auto (FK65FLZ1RFAL)

WHEEL BASE

5210mm

GVM (optional)

12,000kg

GCM (optional)

15,000kg

MASS (ESTIMATED)*

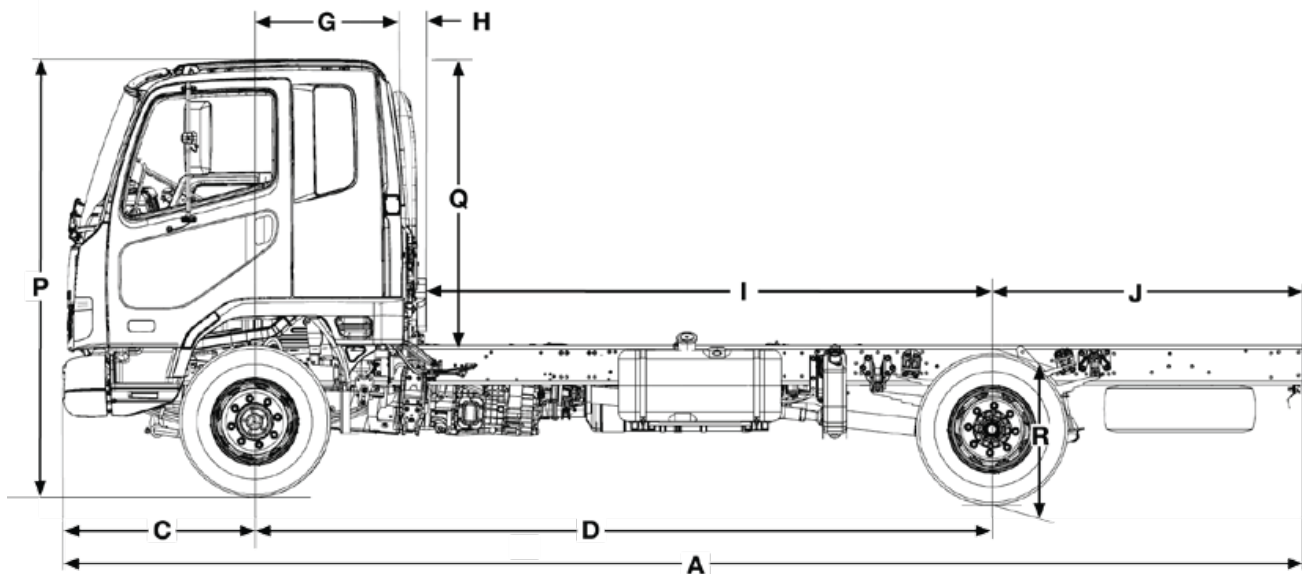
Front*	2353kg
Rear*	1572kg
Total*	3925kg
Notes	* Mass (est.) includes oil and water but excludes spare wheel, tools & fuel. Weights provided are subject to 3.5% variation (+/-)

BODY BUILDER'S NOTES

Notes	<p>Chassis reinforcement must be utilised for Tipper/Demountable type body configurations. To conform with ADR 13/00 and 14/02 (lighting/mirror requirements) the following must be adhered to at body installation.</p> <ul style="list-style-type: none"> - If other than a flat type or tipper body is fitted, rear end out-line marker lamps must be installed. - If overall length exceeds 6.0 metres, side reflectors must be installed. - If overall length exceeds 7.5 metres, side marker lamps must be installed. - If overall width is less than 2.4 metres, the mirrors must be modified to project not more than 230mm. To conform with ADR 42/04 (General Safety), rear wheel guards must be fitted to the vehicle.
-------	---

DIMENSIONS (MM)

Width Front Fender (mm)	2170
Width Rear Axle (mm)	2270
Width Front Track (mm)	1780
Width Rear Track (mm)	1710
Width Frame (mm)	844
A - Length Overall (mm)	8645
B - Extreme Axle Spacing (mm)	
C - Front Overhang (mm)	1135
D - Wheelbase (mm)	5210
G - Front Axle to Rear of Cab (mm)	855
Cab (mm)	
H - Rear of Cab to Rearmost 130 Item Behind Cab (mm)	
I - Rearmost Item Behind Cab to Rear Axle (mm)	4225
J - Frame, Rear Axle to End (mm)	2300
P - Height Cab to Ground (mm)	2527
Q - Height Cab to Frame (mm)	1669
R - Height Rear Frame to Ground (mm)	Inflated: 858 Deflated: 802



CALL 1300 429 134

or visit fuso.com.au

FUSO

Unless specified in writing herein the accessories, applications, bodies or equipment depicted in this document are for illustration purposes only and may not be available from Mercedes-Benz Australia/Pacific Pty Ltd (ABN 23 004 411 410) ("MBAuP"). No representation or warranty whatsoever is given in relation to any accessories, applications, bodies or equipment or suitability of same that are shown herein that may be manufactured, supplied or fitted by a party other than MBAuP. MBAuP reserves the right without notice or obligation to discontinue or make changes to the colour, designs, materials and specifications of the products and options referred to herein at any time. For the most current information and in order to ascertain which accessories, applications, bodies and equipment are available from MBAuP please contact your authorised Mitsubishi FUSO truck and bus dealer. Fuso is a registered trademark of Mitsubishi Fuso Truck & Bus Corporation. Copyright © MBAuP. Reproduction in whole or part prohibited without written approval. Part Number TSF38A-SSV1. Valid from 01-May-17.