

CANTER

**SPECIFICATION
SHEET**

4X2

515

WIDE CAB CHASSIS

FEB21



110kW • 4500kg GVM • 8000kg GCM • DUAL CLUTCH AMT AVAILABLE



**LOW TARE WEIGHT CHASSIS
INDEPENDENT FRONT SUSPENSION
SUSPENDED DRIVER'S SEAT
DRIVER & PASSENGER AIR BAGS
30,000KM SERVICE INTERVALS
EURO 5 PLUS EEV EMISSIONS**

CAN BE DRIVEN ON A PASSENGER CAR LICENCE!



SPECIFICATIONS

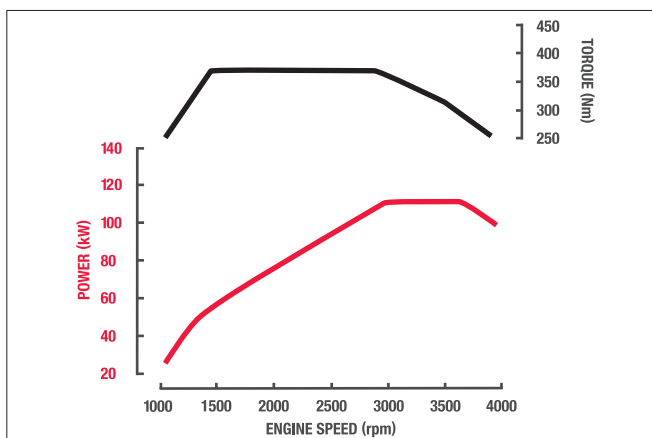
MODEL:
 FEB21CR3SFAC Duonic swb
 FEB21ER3SFAC Duonic mwb
 FEB21CR4SFAC Manual swb
 FEB21ER4SFAC Manual mwb

WHEEL BASE
 2800mm
 3400mm
 2800mm
 3400mm

ENGINE

Mitsubishi FUSO 4P10-T4 Diesel (ADR 80/03 & EEV)

Configuration:	4 Cyl. In-line DOHC, 4-Valve
Type:	Variable Geometry Turbo Charged Air to Air Intercooled
Displacement:	3 litre (2998cc)
Bore:	95.8mm
Stroke:	104mm
Power (DIN):	110kW @ 2840~3500 rpm
Torque (DIN):	370Nm @ 1350~2840 rpm
Maximum Engine Speed:	4100 rpm
Compression Ratio:	17.5:1
Cooling System:	Water Cooled featuring Viscous Coupling Fan
Air Cleaner:	Paper Element Type with Restrictor Indicator Vertical Intake Mounted on Clean Air Side (RH)
Emission Control:	Diesel Particulate Filter (DPF) Exhaust Dash Display DPF Status 0~9 (Empty~Full) Parked Regeneration possible from 7~9



FUEL

Injection System:	Bosch Common Rail Direct Injection Bosch Piezo Technology Injectors
Fuel Capacity:	100 Litres Rectangular Steel Tank with Locking Cap Max Fill to approx 95% of Air Capacity
Filtration:	Filter with Water Separator and Indicator Sensor

ELECTRICAL

Voltage:	12V Negative Earth
Alternator Capacity:	110 amp
Starter Capacity:	12V-2.0kW
Battery Capacity:	2x12V, 70Ah/5hr
Battery Specification:	115D31LX2
Headlamp - Type:	2x55W/60W Halogen

CLUTCH

Duonic:	Automated Manual (no clutch pedal)
Type:	Dual Clutch (Wet Multi-plate)
Manual - Mitsubishi FUSO C4W30:	
Type:	Single Dry Plate, Direct Hydraulic Type

TRANSMISSION - AUTOMATED

FUSO Duonic M038S6

Type:	6 Speed Automated Manual with Auto and Manual Modes
Features	Virtually Instant Gear Changes In-Dash Gear Lever with Park Brake Position ECO Mode to Minimise Fuel Usage
Ratios - 1st:	5.397
- 2nd:	3.788
- 3rd:	2.310
- 4th:	1.474
- 5th:	1.000
- 6th:	0.701
- Rev.	5.397
PTO Opening:	LH Side

TRANSMISSION - MANUAL

FUSO M038S5

Type:	5 Speed with In-Dash Gearshift Lever
Synchromesh:	2nd~5th
Ratios - 1st:	5.494
- 2nd:	3.193
- 3rd:	1.689
- 4th:	1.000
- 5th:	0.723
- Rev.	4.494
PTO Opening:	LH Side

FRONT AXLE

Mitsubishi FUSO F200T

Type:	Independent Front Suspension
Capacity:	2300kg

REAR AXLE

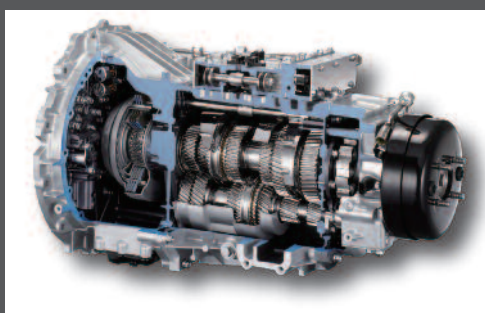
Mitsubishi FUSO R030T

Type:	Full Floating Banjo Type
Capacity:*	3800kg
Ratio:	4.444:1

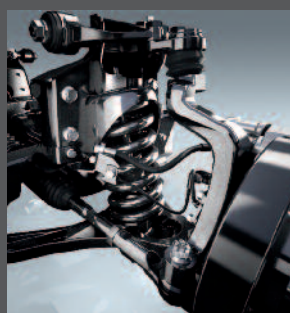
*See MAX LOADING for vehicle capacity.

STEERING

Type:	Rack & Pinion
Steering Column:	Tilt/Telescopic Adjustable
Power Assist:	Standard



Duonic, the World's first truck dual clutch gearbox, drives like a full automatic but, like a manual, pulls heavy loads without heat build up. Its ECO mode provides additional fuel savings.



Canter's new Independent Front Suspension provides passenger car feel in handling and stability.



Every Fuso Canter comes standard with the Fuso Multimedia Unit which includes satellite navigation with truck mapping, digital radio, Bluetooth® radio connectivity, iPod® interface and DVD player.

GVM:
4500kg
4500kg
4500kg
4500kg

GCM:
8000kg
8000kg
8000kg
8000kg

BRAKES

Type:	Hydraulic Dual Circuit with Front and Rear Discs Single Calliper Front and Rear
Disc Diameter & Thickness:	276x28mm (Front and Rear)
Features:	ABS plus EBD (Electronic Brake Distribution) Exhaust Brake Brake Priority System
Park Brake:	Transmission Mounted

SUSPENSION

Front:	Double Wishbone Independent Front Suspension with Coil Springs and Shock Absorbers
Rear:	Parabolic Leaf with Shock Absorbers 1100x70 Leaves

CHASSIS

Type:	Reinforced Tapered Channel
Tensile Strength:	540 MPa
Size:	188x60x4mm
Width:	748mm

WHEELS & TYRES

Wheel - Type:	7 x Single Piece Disc Rims (Including Spare)
- Size:	16x5½K-115
- Stud Pattern:	5 Stud 208 PCD
Tyre - Size:	185/85R16 111/109

MASS (KG - ESTIMATED)*

Model	Front	Rear	Total
FEB21CR3SFAC	1460	555	2015
FEB21ER3SFAC	1480	560	2040
FEB21CR4SFAC	1445	550	1995
FEB21ER4SFAC	1460	560	2020

Note: Mass (est.) includes oil and water but excludes spare wheel, tools & fuel
* Weights provided are subject to 3.5% variation (+/-)

MAX. LOADING		
Front	Rear	Total
2180kg	3800kg	4500kg

INSTRUMENTS

Gauges:	Speedometer with Odometer Tachometer Fuel Level Water Temperature
Colour Information Display	Fuel Consumption DPF Bar Chart from 1-9 Water Temperature Maintenance Reminder System Tripmeters

CAB FEATURES

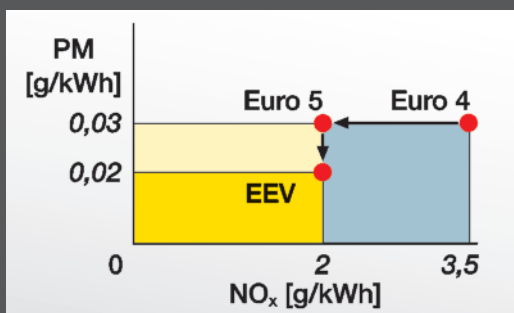
Type:	All Steel Forward Control Manual Tilt
Cab Structure:	ECE-R29 European Cab Strength Approved
Mounting:	Hydroelastic 4 Point
Additional Engine Access:	Removable Engine Access Panel provided for Duonic Models
Colour:	Natural White
Windscreen Wipers:	2 Speed + Intermittent Cycle with Integrated Washer Nozzles
Rear Vision Mirrors	1 x Internal 2 x External Convex (ECE 46) - Heated
Seating Capacity:	3
Seats - Driver:	Suspended with LH Arm Rest Lumbar Support & Weight Adjustment
- Passenger:	Flat Folding, 2 Passenger Bench
Seat Belts	Lap Sash Belts for Outside Seating Positions Lap Belt for Centre Seat

MULTI-MEDIA PACKAGE

Satellite Navigation:	Maps with heavy vehicle weight, length, height & hazardous material selectable restrictions with 3 years of Map updates
Colour Display:	6.1 inch LCD with touch screen control
Phone Connectivity:	Bluetooth® hands free
Audio Visual Entertainment:	CD/DVD player and Digital radio DAB+ (also AM/FM for areas not covered by DAB+) USB port for iPod®* & other devices

Reversing Camera Compatible: Display can accept up to 3 cameras#

* iPod® compatibility requires an additional licenced cable
Cameras available through spare parts



All Euro 5 Canters also meet the rigorous EEV emission standard. EEV stands for 'Enhanced Environmental Friendly Vehicle', a European emission standard that exceeds Euro 5.



Driver's Suspension Seat, featuring Adjustable Spring and Shock Absorber Suspension Damping, is standard in all Wide Cab models.



In testing, the new FUSO Canter travelled a distance of over 3 million kilometres, the equivalent of 7 times the distance from Earth to the Moon.

SPECIFICATIONS

STANDARD FEATURES

Driving

Dual Air Bags and Seat Belt Pre-Tensioners (Driver & Far Side Passenger)
 Driver's Suspended Seat
 Hill Start System (Manual Only)
 Electric Windows
 Fuso Multimedia Unit
 Keyless Central Locking
 Air Conditioner / Heater / Demister
 12V Accessory Power Outlet / Cigar Lighter
 Cup Holders (2)

Storage

Dual Overhead Storage Pockets
 In-Dash Centre Document Storage
 Door Storage Pockets
 Dash Storage Tray (1 DIN)
 Coat Hooks

Cab: External

Front End-Outline Marker Lamps
 Door Side Impact Beams

Chassis

Reverse Warning Buzzer

Service

30,000km Intervals or 12 Months*

*based on normal operating conditions and may be reduced when operating under severe conditions.

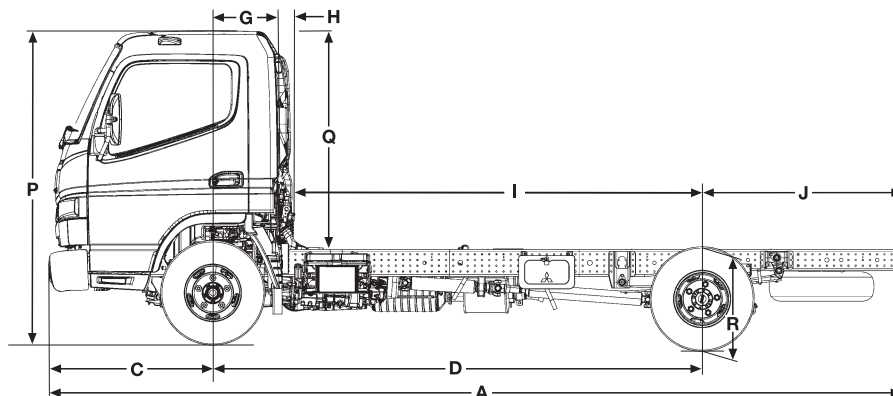
DIMENSIONS (MM)

		515 wide C Wb	515 wide E Wb
<i>Wb = Wheel Base</i>			
Width	Front Fender:	1995	1995
	Rear Axle:	1929	1929
	Rear Track:	1495	1495
	Frame:	748	748
Length A	Overall:	5135	5785
	C Front Overhang:	1140	1140
	D Wheelbase:	2800	3400
	G Front Axle to Rear of Cab:	525	525
	H Rear of Cab to Rear of Engine Cover:		
	Duonic	50	50
	Manual	81	81
	I Frame, Engine Cover to Rear Axle:		
	Duonic	2225	2825
	Manual	2194	2794
J Frame, Rear Axle to End:	1195	1395	
Height	P Cab to Ground:	2165	2165
	Q Cab to Frame:	1516	1516
	R Rear Frame to Ground:	728	727
Turning Circle (kerb to kerb):		9.4m	11.0m

PERFORMANCE - (CALCULATED-PAVED ROAD)

	515 Duonic	515 Manual
Road Speed (km/h) at Max. Engine Speed:	137	137
Engine Speed (rpm) at 100km/hr (top gear):	2346	2420
Gradeability** at Rated GVM:	45%	45%

** This is Theoretical Performance and may vary under different conditions.



Note: Chassis reinforcement must be utilised for Tipper/Demountable type body configurations.

To conform with ADR 13/00 and 14/02 (lighting/mirror requirements) the following must be adhered to at body installation.

- If overall width exceeds 2.1 metres and other than flat type or tipper body is fitted, rear end-outline markers must be installed.
- If overall length exceeds 6.0 metres, side reflectors must be installed.
- If overall length exceeds 7.5 metres and width exceeds 2.1 metres, side marker lamps must be installed.
- If overall width is less than 2.2 metres, the mirrors must be modified to project not more than 230mm.

To conform with ADR 42/04 (General Safety), rear wheel guards must be fitted to the vehicle.

WARRANTY

3 YEAR & 3 YEAR

Basic/Powertrain

3 Years, 100,000kms or 2,000 operating hours
 (whichever comes first)
 3 Years Cab Perforation/Anti Corrosion

Call 1300 426 812 or visit fuso.com.au

