

# CANTER

## SPECIFICATION SHEET

### 4X2 515/815/918

### 6 AND 7 SEAT CREW CABS

### FEA21 / FEB71 / FEB91 ...W



110/110/129kW • 4500/7500\*/8200\*KG GVM • DUAL CLUTCH AMT AVAILABLE



515 MODEL  
NARROW CITY CAB  
**ACCESS**  
TIGHT SPACES!

NARROW CITY CAB ILLUSTRATED

**LOW TARE WEIGHT CHASSIS**  
**SUSPENDED DRIVER'S SEAT IN 7 SEAT CREW CABS**  
**DRIVER & FRONT PASSENGER AIR BAGS**  
**30,000KM SERVICE INTERVALS**  
**EURO 5 PLUS EEV EMISSIONS**

\* OPTIONAL 4500KG GVM CAN BE DRIVEN ON A PASSENGER CAR LICENCE!



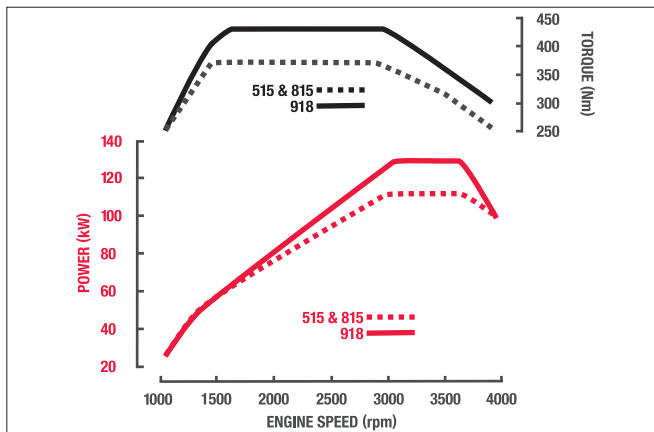
# SPECIFICATIONS

MODEL:			WHEEL BASE
FEA21ER3WFAC	Duonic	mwb	3400mm
FEB71ER3WFAC	Duonic	mwb	3400mm
FEB71GR3W or 4WFAC	Duonic or Manual	lwb	3850mm
FEB91GR3W or 4WFAD	Duonic or Manual	lwb	3850mm

## ENGINE

### Mitsubishi FUSO 4P10 Diesel (ADR 80/03 & EEV)

Configuration:	4 Cyl. In-line DOHC, 4-Valve
Type:	Variable Geometry Turbo Charged Air to Air Intercooled
Displacement:	3 litre (2998cc)
Bore:	95.8mm
Stroke:	104mm
Power (DIN):	
- 515 & 815 Models	110kW @ 2840~3500 rpm
- 918 Models	129kW @ 2860~3500 rpm
Torque (DIN):	
- 515 & 815 Models	370Nm @ 1350~2840 rpm
- 918 Models	430Nm @ 1600~2860 rpm
Maximum Engine Speed:	4100 rpm
Compression Ratio:	17.5:1
Cooling System:	Water Cooled featuring Viscous Coupling Fan
Air Cleaner:	Paper Element Type with Restrictor Indicator Vertical Intake Mounted on Clean Air Side (RH)
Emission Control: All Models	Diesel Particulate Filter (DPF) Exhaust Dash Display DPF Status 0~9 (Empty~Full) Parked Regeneration possible from 7~9 plus SCR After-Treatment System
918 Models	12 Litre AdBlue Tank



## FUEL

Injection System:	Bosch Common Rail Direct Injection Bosch Piezo Technology Injectors
Fuel Capacity:	100 Litres Rectangular Steel Tank with Locking Cap Max Fill to approx 95% of Air Capacity
Filtration:	Filter with Water Separator and Indicator Sensor

## ELECTRICAL

Voltage:	12V Negative Earth
Alternator Capacity:	110 amp
Starter Capacity:	12V-2.0kW
Battery Capacity:	
- 515 Model	1x12V, 70Ah/5hr
- 815 & 918 Models	2x12V, 70Ah/5hr
Battery Specification:	115D31LX2
Headlamp - Type:	2x55W/60W Halogen

## CLUTCH

Duonic:	Automated Manual (no clutch pedal)
Type:	Dual Clutch (Wet Multi-plate)
Manual - Mitsubishi FUSO 4W30:	
Type:	Single Dry Plate, Direct Hydraulic Type

## TRANSMISSION - AUTOMATED

FUSO Duonic M038S6 - Standard 515 Models. Available 815 and 918 Models.	
Type:	6 Speed Automated Manual with Auto and Manual Modes
Features	Virtually Instant Gear Changes In-Dash Gear Lever with Park Brake Position ECO Mode to Minimise Fuel Usage
Ratios - 1st:	5.397
- 2nd:	3.788
- 3rd:	2.310
- 4th:	1.474
- 5th:	1.000
- 6th:	0.701
- Rev.	5.397
PTO Opening:	LH Side

## TRANSMISSION - MANUAL

FUSO M038S5 - Available 815 and 918 Models.	
Type:	5 Speed with In-Dash Gearshift Lever
Synchromesh:	2nd~5th
Ratios - 1st:	5.494
- 2nd:	3.193
- 3rd:	1.689
- 4th:	1.000
- 5th:	0.723
- Rev.	4.494
PTO Opening:	LH Side

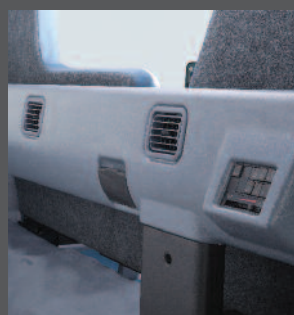
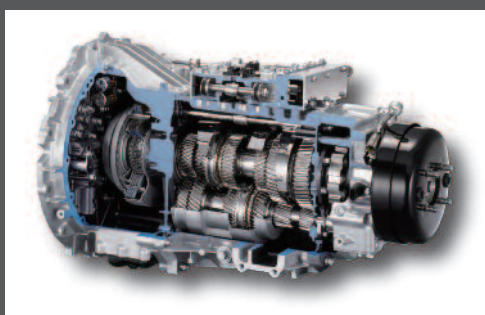
## FRONT AXLE

515 Model: Mitsubishi FUSO F200T	
Type:	Independent Front Suspension
Capacity:	2300kg
815 and 918 Models: Mitsubishi FUSO F350T	
Type:	Reverse Elliot "I" Beam
Capacity:	3100kg

## REAR AXLE

515 Models: Mitsubishi FUSO R030T	
Type:	Full Floating Banjo Type
Capacity:*	3800kg
Ratio:	4.444:1
815 and 918 Models: Duonic: Mitsubishi FUSO R035T	
Type:	Full Floating Banjo Type
Capacity:*	6000kg
Ratio: 815 Model Duonic	5.714:1
918 Model Duonic	6.166:1
815 & 918 Manual	5.285:1

\*See MAX LOADING for vehicle capacity.



Duonic, the World's first truck dual clutch gearbox, drives like a full automatic but, like a manual, pulls heavy loads without heat build up. Its ECO mode provides additional fuel savings.

All 4x2 Crew Cabs feature additional air conditioning for rear passengers & lockable storage under rear seats.

Every Fuso Canter comes standard with the Fuso Multimedia Unit which includes satellite navigation with truck mapping, digital radio, Bluetooth® radio connectivity, iPod® interface and DVD player.

GVM:	GCM:	Optional GVM:	Optional GCM:
4500kg	8000kg	4500kg	8000kg
7500kg	11000kg	4500kg	8000kg
7500kg	11000kg	4500kg	8000kg
8200kg	11700kg	4500kg	8000kg

## STEERING

515 Model:	Rack and Pinion
815 and 918 Models:	Integral Ball and Nut Type
Steering Column:	Tilt/Telescopic Adjustable
Power Assist:	Standard

## BRAKES

Type:	Hydraulic Dual Circuit
- 515 Model:	Single Calliper Front and Rear
- 815 and 918 Models:	Twin Calliper Front and Rear
Disc Diameter & Thickness:	
- 515 Model:	276x28mm (Front and Rear)
- 815 and 918 Models:	310x40mm (Front and Rear)
Features:	ABS plus EBD (Electronic Brake Distribution) Exhaust Brake Brake Priority System
Park Brake:	Transmission Mounted

## FRONT SUSPENSION

Type:	- 515 Model: Double Wishbone Independent Front Suspension with Coil Springs and Shock Absorbers
- 815 and 918 Models:	Multi-Leaf with Stabiliser Bar Size: 1150x70mm Leaves
Shock Absorbers:	Double Acting

## REAR SUSPENSION

Type:	- 515 Model: Parabolic Leaf with Shock Absorbers 1100x70 Leaves
- 815 and 918 Models:	Semi-Elliptical Leaf with Stabiliser Bar Main Leaves: 1250x70mm Helper Leaves: 880x70
Shock Absorbers:	Double Acting

## CHASSIS

Type:	Reinforced Tapered Channel
Tensile Strength:	440 MPa
Size:	- 515 Model: 188x60x4mm
- 815 and 918 Models:	192x60x6mm
Width:	- 515 Model: 699mm
- 815 and 918 Models:	752mm

## WHEELS & TYRES

Wheel Type:	7 x Single Piece Disc Rims (Including Spare)
Size:	- 515 Model: 15x5J-115
- 815 and 918 Models:	17.5x6.00-127
Stud Pattern:	
- 515 Model:	5 Stud 208 PCD
- 815 and 918 Models:	6 Stud 222.25 PCD
Tyre Size:	- 515 Model: 195/85R15 113/111
- 815 and 918 Models:	215/75R17.5 124/123

## OPTION

H31: (815 & 918 Models) 4500/8000kg GVM/GCM Rating

Model	MAX. LOADING		
	Front	Rear	Total
515	2300kg	3800kg	4500kg
815	3100kg	6000kg	7500kg
918	3100kg	6000kg	8200kg

## INSTRUMENTS

Gauges:	Speedometer with Odometer Tachometer Fuel Level Water Temperature AdBlue Level (918 Only)
Colour Information Display	Fuel Consumption DPF Bar Chart from 1-9 Water Temperature Maintenance Reminder System Tripmeters

## CAB FEATURES

Type:	All Steel Forward Control Fixed Cab
Cab Structure:	ECE-R29 European Cab Strength Approved Except for 515 - 6 Seat Cab
Mounting:	6 Point Isolated Rubber
Additional Engine Access:	Removable Engine Access Panel Provided
Colour:	Natural White
Windscreen Wipers:	2 Speed + Intermittent Cycle with Integrated Washer Nozzles
Rear Vision Mirrors	1 x Internal 2 x External Convex (ECE 46) - Heated
Seating Capacity:	
- 515 Model:	6
- 815 and 918 Models:	7
Seats:	- Driver:
- 515 Model:	Fixed Reclining with LH Arm Rest & Lumbar Support
- 815 and 918 Models:	Suspended with LH Arm Rest Lumbar Support & Weight Adjustment
Seats:	- Passenger:
Front:	Flat Folding, 2 Passenger Bench
Rear:	Low Back Bench Seat
Seat Belts:	
Outside Seating:	4 x Lap Sash Belts and Head Rests
Centre Seat:	
- 515 Model:	2 x Lap Belts
- 815 and 918 Models:	3 x Lap Belts

## MULTI-MEDIA PACKAGE

Satellite Navigation:	Maps with heavy vehicle weight, length, height & hazardous material selectable restrictions with 3 years of Map updates
Colour Display:	6.1 inch LCD with touch screen control
Phone Connectivity:	Bluetooth® hands free
Audio Visual Entertainment:	CD/DVD player and Digital radio DAB+ (also AM/FM for areas not covered by DAB+) USB port for iPod®* & other devices
Reversing Camera Compatible:	Display can accept up to 3 cameras#

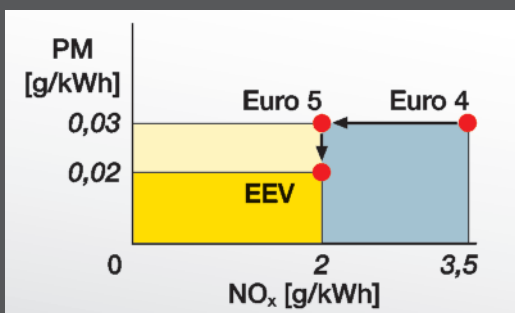
\* iPod® compatibility requires an additional licenced cable

# Cameras available through spare parts

## MASS (KG - ESTIMATED)\*

Model	Front	Rear	Total
FEA21ER3WFAC	1550	615	2165
FEB71ER3WFAC	1785	850	2635
FEB71GR3WFAC	1795	890	2685
FEB71GR4WFAC	1780	890	2670
FEB91GR3WFAD	1815	885	2700
FEB91GR4WFAD	1800	890	2690

Note: Mass (est.) includes oil and water but excludes spare wheel, tools & fuel  
\* Weights provided are subject to 3.5% variation (+/-)



All Euro 5 Canters also meet the rigorous EEV emission standard. EEV stands for 'Enhanced Environmental Friendly Vehicle', a European emission standard that exceeds Euro 5.



Driver's Suspension Seat is standard in all Wide Cab models. It features adjustable dual spring and shock absorber damping, LH arm rest and lumbar support.



In testing, the new FUSO Canter travelled a distance of over 3 million kilometres, the equivalent of 7 times the distance from Earth to the Moon.

# SPECIFICATIONS

## STANDARD FEATURES

### Driving

Dual Air Bags and Seat Belt Pre-Tensioners (Driver & Far Side Passenger)  
 Front & Rear Air Conditioner Systems with Separate Controls  
 Driver's Suspended Seat (except 515 Model)  
 Hill Start System (Manual Only)  
 Electric Windows (Front Windows Only)  
 Fuso Multimedia Unit  
 Keyless Central Locking  
 12V Accessory Power Outlet / Cigar Lighter  
 Cup Holders (2)

### Storage

Dual Overhead Storage Pockets  
 Lockable Storage Under Rear Crew Seats  
 In-Dash Centre Document Storage  
 Door Storage Pockets  
 Dash Storage Tray (1 DIN)

### Cab: External

Front End-Outline Marker Lamps (except 515 Model)  
 Door Side Impact Beams (Front Only)

### Chassis

Reverse Warning Buzzer

### Service

30,000km Intervals or 12 Months\*

\*based on normal operating conditions and may be reduced when operating under severe conditions.

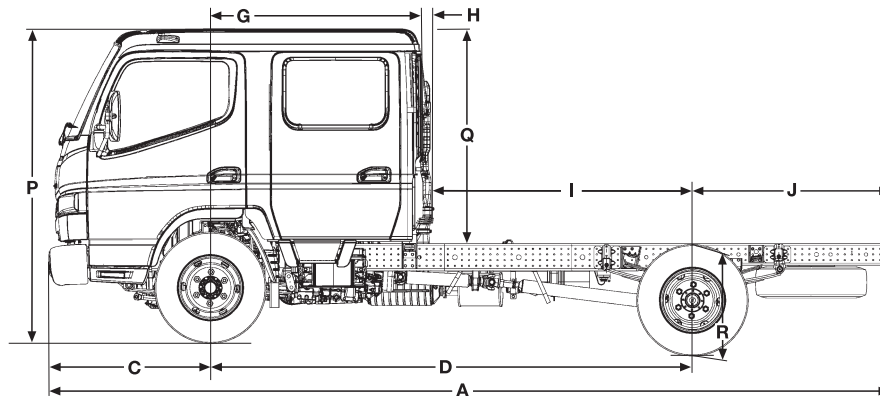
## DIMENSIONS (MM)

		515	815	815	918
		E Wb	E Wb	G Wb	G Wb
Width	Front Fender:	1695	1995	1995	1995
	Rear Axle:	1869	2034	2034	2034
	Rear Track:	1435	1560	1560	1560
	Frame:	699	752	752	752
Length A	Overall:	5785	5935	6685	6685
	C Front Overhang:	990	1140	1140	1140
	D Wheelbase:	3400	3400	3850	3850
	G Front Axle to Rear of Cab:	1475	1525	1525	1525
	H Rear of Cab to Air Intake:	130	54	54	54
	I Frame, Air Intake to Rear Axle:	1795	1821	2271	2271
Height	J Frame, Rear Axle to End:	1395	1395	1695	1695
	P Cab to Ground:	1995	2220	2220	2220
	Q Cab to Frame:	1374	1514	1514	1514
R Rear Frame to Ground:		717	795	794	794
Turning Circle (kerb to kerb):		11.8m	12.2m	13.6	13.6

## PERFORMANCE - (CALCULATED-PAVED ROAD)

	515	815	815	815/918
	Duonic	Duonic	Duonic	Manual
Road Speed (km/h) at Max. Engine Speed:	145	127	124	130
Engine Speed (rpm) at 100km/hr (top gear):	2388	2817	3040	2687
Gradeability** at Rated GVM:	45%	29%	34%	29%

\*\* This is Theoretical Performance and may vary under different conditions.



Note: Chassis reinforcement must be utilised for Tipper/Demountable type body configurations.

To conform with ADR 13/00 and 14/02 (lighting/mirror requirements) the following must be adhered to at body installation.

- If overall width exceeds 2.1 metres and other than flat type or tipper body is fitted, rear end-outline markers must be installed.
  - If overall length exceeds 6.0 metres, side reflectors must be installed.
  - If overall length exceeds 7.5 metres and width exceeds 2.1 metres, side marker lamps must be installed.
  - If overall width is less than 1.9 metres on the 515 model and 2.2 metres on 815 and 918 models, the mirrors must be modified to project not more than 230mm.
- To conform with ADR 42/04 (General Safety), rear wheel guards must be fitted to the vehicle.

## WARRANTY

### 3 YEAR & 3 YEAR

#### Basic/Powertrain

3 Years, 100,000kms or 2,000 operating hours  
 (whichever comes first)  
 3 Years Cab Perforation/Anti Corrosion

Call 1300 426 812 or visit [fuso.com.au](http://fuso.com.au)

