

CANTER

**SPECIFICATION
SHEET**

4X4

FG

WIDE CAB CHASSIS

FGB71



110kW • 6500kg* GVM • 10000kg GCM • WIDE CAB

**CREW CAB
AVAILABLE**



**HIGH/LOW RANGE STANDARD
LOW TARE WEIGHT CHASSIS
SUSPENDED DRIVER'S SEAT
30,000KM SERVICE INTERVALS
EURO 5 PLUS EEV EMISSIONS**

*** OPTIONAL 4500KG GVM CAN BE DRIVEN ON A PASSENGER CAR LICENCE!**


FUSO

SPECIFICATIONS

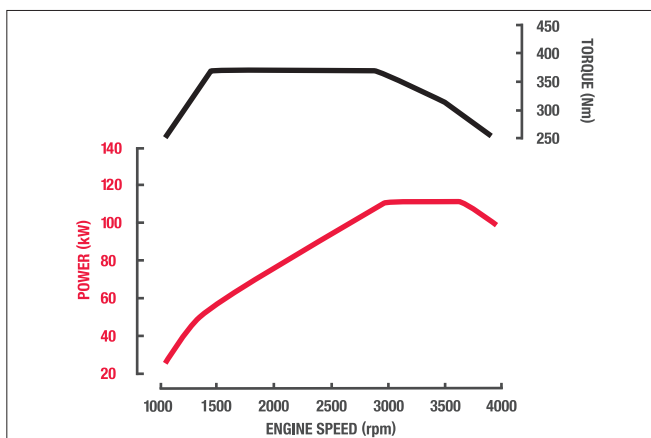
MODEL:
 FGB71CR6SFAC Manual swb
 FGB71ER6SFAC Manual mwb
 FGB71ER6WFAC Manual crew mwb

WHEELBASE:
 2815mm
 3415mm
 3415mm

ENGINE

Mitsubishi FUSO 4P10-T4 Diesel (ADR 80/03 & EEV)

Configuration:	4 Cyl. In-line DOHC, 4-Valve
Type:	Variable Geometry Turbo Charged Air to Air Intercooled
Displacement:	3 litre (2998cc)
Bore:	95.8mm
Stroke:	104mm
Power (DIN):	110kW @ 2840~3500 rpm
Torque (DIN):	370Nm @ 1350~2840 rpm
Maximum Engine Speed:	4100 rpm
Compression Ratio:	17.5:1
Cooling System:	Water Cooled featuring Viscous Coupling Fan
Air Cleaner:	Paper Element Type with Restrictor Indicator Vertical Intake Mounted on Clean Air Side (RH)
Emission Control:	Diesel Particulate Filter (DPF) Exhaust Dash Display DPF Status 0~9 (Empty~Full) Parked Regeneration possible from 7~9



FUEL

Injection System:	Bosch Common Rail Direct Injection Bosch Piezo Technology Injectors
Fuel Capacity:	100 Litres Rectangular Steel Tank with Locking Cap Max Fill to approx 95% of Air Capacity
Filtration:	Filter with Water Separator and Indicator Sensor

ELECTRICAL

Voltage:	12V Negative Earth
Alternator Capacity:	110 amp
Starter Capacity:	12V-2.0kW
Battery Capacity:	2x12V, 70Ah/5hr
Battery Specification:	115D31LX2
Headlamp - Type:	2x55W/60W Halogen

CLUTCH

Manual - Mitsubishi FUSO C4W30:

Type: Single Dry Plate, Direct Hydraulic Type

TRANSMISSION - MANUAL

FUSO M038S5

Type: 5 Speed with In-Dash Gearshift Lever

Synchromesh: 2nd~5th

Ratios - 1st: 5.494
 - 2nd: 3.193
 - 3rd: 1.689
 - 4th: 1.000
 - 5th: 0.723
 - Rev: 5.494

PTO Opening: LH Side

TRANSFER

FUSO TF3

No of Speeds: 2

Synchromesh: No

Ratios - Low: 1.987
 - High: 1.090

FRONT AXLE

Mitsubishi FUSO D1H

Type: Full Floating Hypoid
with Constant Velocity Universal Joints

Hubs: Free Wheel, Manual Locking Type

Ratio: 5.285:1

REAR AXLE

Mitsubishi FUSO D035H

Type: Full Floating Hypoid Type
Positive Locking LSD

Ratio: 5.285:1

STEERING

Type: Integral Ball and Nut Type

Steering Column: Tilt/Telescopic Adjustable

Power Assist: Standard



Full Floating Hypoid Type front axle and rear axles; front with Constant Velocity Universal Joints and rear with Positive Locking Limited Slip Differential.

In cabin selection of 4 Wheel Drive.

Every Fuso Canter comes standard with the Fuso Multimedia Unit which includes satellite navigation with truck mapping, digital radio, Bluetooth® radio connectivity, iPod® interface and DVD player.

GVM:	GCM:	Optional GVM:	Optional GCM:
6500kg	10000kg	4500kg	8000kg
6500kg	10000kg	4500kg	8000kg
6500kg	10000kg	4500kg	8000kg

BRAKES

Type:	Hydraulic Dual Circuit with Front and Rear Drums
Size: - Front	320mm Diameter x 75mm Width
- Rear	320mm Diameter x 110mm Width
Features:	Auto Slack Adjusters ABS plus EBD (Electronic Brake Distribution) Exhaust Brake Brake Priority System
Park Brake:	Transmission Mounted

FRONT SUSPENSION

Type:	Multi-Leaf
Size:	1150x70mm Leaves
Shock Absorbers:	Double Acting

REAR SUSPENSION

Type:	Multi-Leaf
Size: - Main Leaves:	1250x70mm
Shock Absorbers:	Double Acting

CHASSIS

Type:	Reinforced Tapered Channel with Drop Shape
Tensile Strength:	440 MPa with 540 MPa Stiffeners
Size:	192x60x6mm
Width:	752mm

WHEELS & TYRES

Wheel - Type:	7 x Disc Rims (Including Spare)
- Size:	17.5x6.00-127
- Stud Pattern:	6 Stud
Tyre - Size:	215/75R17.5 124/123 (tubeless)

OPTION

H31:	4500/8000kg GVM/GCM Rating
R84:	Fire Service delete power pack option - without driver & far passenger airbag, central locking or electrical front windows

MASS (KG - ESTIMATED)*

Model	Front	Rear	Total
FGB71CR6SFAC	1740	820	2560
FGB71ER6SFAC	1750	845	2595
FGB71ER6WFAC	1910	915	2825

Note: Mass (est.) includes oil and water but excludes spare wheel, tools & fuel
* Weights provided are subject to 3.5% variation (+/-)

MAX. LOADING			
Model	Front	Rear	Total
All Models	2800kg	5760kg	6500kg

INSTRUMENTS

Gauges:	Speedometer with Odometer Tachometer Fuel Level Water Temperature
Colour Information Display	Fuel Consumption DPF Bar Chart from 1-9 Water Temperature Maintenance Reminder System Tripmeters

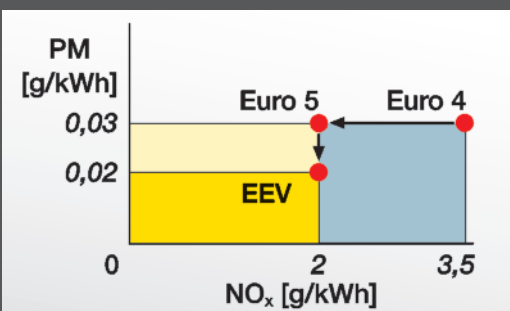
CAB FEATURES

Type:	All Steel Forward Control
- Single Cab	Manual Tilt
- Crew Cab	Fixed
Cab Structure:	ECE-R29 European Cab Strength Approved
Mounting:	Hydroelastic 4 Point 6 Point Isolated
Additional Engine Access:	Removable Engine Access Panel
Colour:	Natural White
Windscreen Wipers:	2 Speed + Intermittent Cycle with Integrated Washer Nozzles
Rear Vision Mirrors	1 x Internal 2 x External Convex (ECE 46) - Heated
Seating Capacity:	
Single Cab:	3
Crew Cab:	7
Seats: - Driver: both models	Suspended with LH Arm Rest Lumbar Support & Weight Adjustment
Seats: - Passenger:	
Single/Crew Cab Front:	Flat Folding, 2 Passenger Bench Low Back 4 Passenger Bench
Crew Cab: - Rear	Head Rests for Outside Seating Positions
Seat Belts	Lap Sash Belts for Outside Seating Positions Lap Belts for Centre Seats

MULTI-MEDIA PACKAGE

Satellite Navigation:	Maps with heavy vehicle weight, length, height & hazardous material selectable restrictions with 3 years of Map updates
Colour Display:	6.1 inch LCD with touch screen control
Phone Connectivity:	Bluetooth® hands free
Audio Visual Entertainment:	CD/DVD player and Digital radio DAB+ (also AM/FM for areas not covered by DAB+) USB port for iPod®* & other devices
Reversing Camera Compatible:	Display can accept up to 3 cameras#

* iPod® compatibility requires an additional licenced cable
Cameras available through spare parts



All Euro 5 Canters also meet the rigorous EEV emission standard. EEV stands for 'Enhanced Environmental Friendly Vehicle', a European emission standard that exceeds Euro 5.



Driver's Suspension Seat is standard. It features adjustable dual spring and shock absorber damping, LH arm rest and lumbar support.



In testing, the new FUSO Canter travelled a distance of over 3 million kilometres, the equivalent of 7 times the distance from Earth to the Moon.

SPECIFICATIONS

STANDARD FEATURES

Driving

Dual Air Bags and Seat Belt Pre-Tensioners (Driver & Far Side Passenger)
 Driver's Suspended Seat
 Hill Start System
 Electric Windows (front only Crew Cab)
 Fuso Multimedia Unit
 Keyless Central Locking
 Air Conditioner / Heater / Demister
 12V Accessory Power Outlet / Cigar Lighter
 Cup Holders (2)

Storage

Dual Overhead Storage Pockets
 Crew Cab: Lockable Storage under Rear Crew Seats
 In-Dash Centre Document Storage
 Door Storage Pockets
 Dash Storage Tray (1 DIN)
 Coat Hooks

Cab: External

Front End-Outline Marker Lamps
 Door Side Impact Beams

Chassis

Reverse Warning Buzzer

Service

30,000km Intervals or 12 Months*

*based on normal operating conditions and may be reduced when operating under severe conditions.

DIMENSIONS (MM)

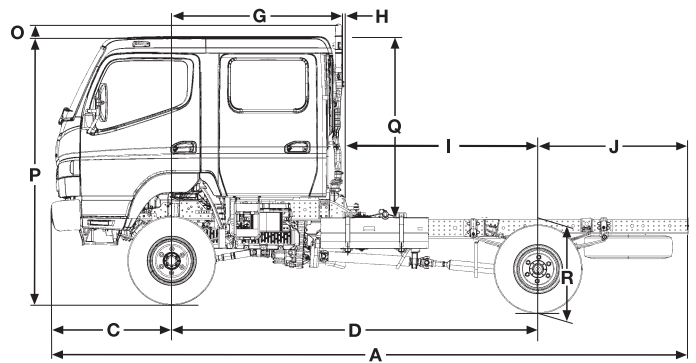
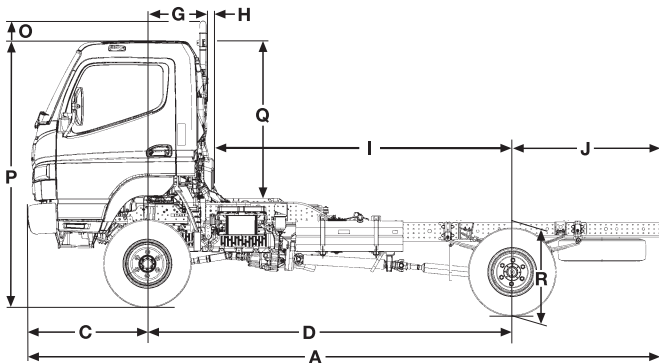
Wb = Wheel Base

		Single Cab C Wb	Single Cab E Wb	Crew Cab E Wb
Width	Front Fender:	1995	1995	1995
	Rear Axle:	2030	2030	2030
	Rear Track:	1560	1560	1560
	Frame:	750	750	750
Length A	Overall:	5190	5935	5935
	C Front Overhang:	1125	1125	1125
	D Wheelbase:	2815	3415	3415
	G Front Axle to Rear of Cab:	540	540	1540
	H Rear of Cab to Rear of Engine Cover:	81	81	67
	I Frame, Air Intake Snorkel to Rear Axle:	2194	2794	1808
	J Frame, Rear Axle to End:	1195	1395	1395
	O Air Intake to Cab Roof:	184	184	117
Height	P Cab to Ground:	2475	2475	2494
	Q Cab to Frame:	1504	1504	1674
	R Rear Frame to Ground:	881	881	879
Turning Circle (kerb to kerb):		11.4m	13.4m	13.4m

PERFORMANCE - (CALCULATED-PAVED ROAD)

Road Speed (km/h) at Max. Engine Speed:	123	123	123
Engine Speed (rpm) at 100km/hr (top gear):	2957	2957	2957
Gradeability** at Rated GVM:	74%	74%	74%
Startability** at Rated GVM	51%	51%	51%

** This is Theoretical Performance and may vary under different conditions.



WARRANTY

3 YEAR & 3 YEAR

Basic/Powertrain

3 Years, 100,000kms or 2,000 operating hours
 (whichever comes first)
 3 Years Cab Perforation/Anti Corrosion

Call 1300 426 812 or visit fuso.com.au

