

CANTER

**SPECIFICATION
SHEET**

4X2 515 / 715

FACTORY TIPPERS

FEA61 / FEC81



110kW • 4500/6500kg* GVM • CITY OR WIDE CAB • DUAL CLUTCH AMT AVAILABLE



**LOW TARE WEIGHT CHASSIS
LIMITED SLIP DIFFERENTIAL
LUG REAR TYRES FOR EXTRA TRACTION
SUSPENDED DRIVER'S SEAT IN WIDE CAB
DRIVER & PASSENGER AIR BAGS
30,000KM SERVICE INTERVALS
EURO 5 PLUS EEV EMISSIONS**

CAN BE DRIVEN ON A PASSENGER CAR LICENCE! *OPTIONAL 4500KG GVM ON 715 MODEL:



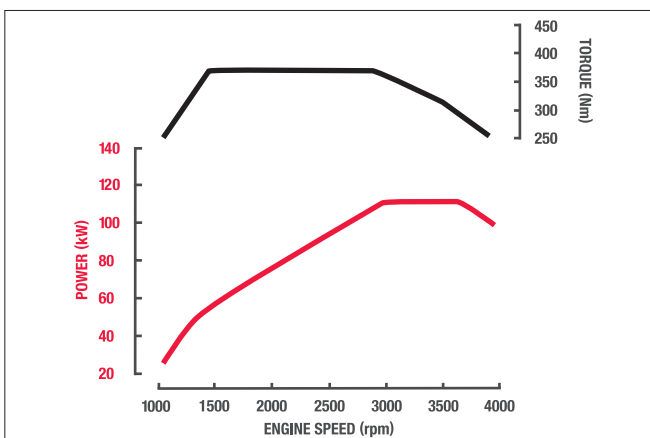
SPECIFICATIONS

MODEL:
FEA61BR3SFAC City Duonic
FEC81CR3SFAC Wide Duonic
FEA61BR4SFAC City Manual
FEC81CR4SFAC Wide Manual

ENGINE

Mitsubishi FUSO 4P10-T4 Diesel (ADR 80/03 & EEV)

Configuration:	4 Cyl. In-line DOHC, 4-Valve
Type:	Variable Geometry Turbo Charged Air to Air Intercooled
Displacement:	3 litre (2998cc)
Bore:	95.8mm
Stroke:	104mm
Power (DIN):	110kW @ 2840~3500 rpm
Torque (DIN):	370Nm @ 1350~2840 rpm
Maximum Engine Speed:	4100 rpm
Compression Ratio:	17.5:1
Cooling System:	Water Cooled featuring Viscous Coupling Fan
Air Cleaner:	Paper Element Type with Restrictor Indicator Vertical Intake Mounted on Clean Air Side (RH)
Emission Control:	Diesel Particulate Filter (DPF) Exhaust Dash Display DPF Status 0~9 (Empty~Full) Parked Regeneration possible from 7~9



FUEL

Injection System:	Bosch Common Rail Direct Injection Bosch Piezo Technology Injectors
Fuel Capacity:	70 Litres - 515 Model: 100 Litres - 715 Model: Rectangular Steel Tank with Locking Cap Max Fill to approx 95% of Air Capacity
Filtration:	Filter with Water Separator and Indicator Sensor

ELECTRICAL

Voltage:	12V Negative Earth
Alternator Capacity:	110 amp
Starter Capacity:	12V-2.0kWh
Battery Capacity:	2x12V, 70Ah/5hr
Battery Specification:	115D31LX2
Headlamp - Type:	2x55W/60W Halogen

CLUTCH

Duonic:	Automated Manual (no clutch pedal)
Type:	Dual Clutch (Wet Multi-plate)
Manual - Mitsubishi FUSO 4W30:	
Type:	Single Dry Plate, Direct Hydraulic Type

TRANSMISSION - AUTOMATED

FUSO Duonic M038S6

Type:	6 Speed Automated Manual with Auto and Manual Modes
Features	Virtually Instant Gear Changes In-Dash Gear Lever with Park Brake Position ECO Mode to Minimise Fuel Usage
Ratios - 1st:	5.397
- 2nd:	3.788
- 3rd:	2.310
- 4th:	1.474
- 5th:	1.000
- 6th:	0.701
- Rev.	5.397
PTO:	LH Side Direct Connection Pump

TRANSMISSION - MANUAL

FUSO M038S5

Type:	5 Speed with In-Dash Gearshift Lever
Synchromesh:	2nd~5th
Ratios - 1st:	5.494
- 2nd:	3.193
- 3rd:	1.689
- 4th:	1.000
- 5th:	0.723
- Rev.	4.494
PTO Opening:	LH Side Direct Connection Pump

FRONT AXLE

515 Model: Mitsubishi FUSO F200T

Type:	Reverse Elliot "I" Beam
Capacity:	2600kg

715 Model: Mitsubishi FUSO F350T

Type:	Reverse Elliot "I" Beam
Capacity:	3100kg

REAR AXLE

515 Model: Mitsubishi FUSO R033T

Type:	Full Floating Banjo Type
Capacity:*	4500kg
Ratio: Duonic	5.285:1
Manual	5.285:1

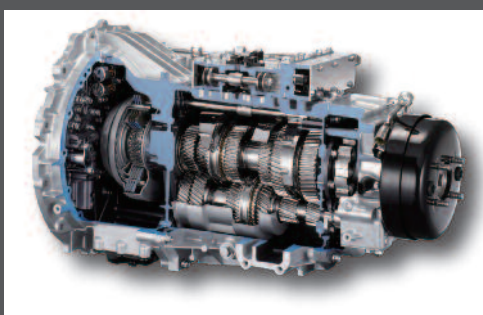
715 Model: Mitsubishi FUSO R035T

Type:	Full Floating Banjo Type
Capacity:*	6000kg
Ratio: Duonic	5.714:1
Manual	5.285:1

*See MAX LOADING for vehicle capacity.

STEERING

Type:	Integral Ball and Nut Type
Steering Column:	Tilt/Telescopic Adjustable
Power Assist:	Standard



Duonic, the World's first truck dual clutch gearbox, drives like a full automatic but, like a manual, pulls heavy loads without heat build up. Its ECO mode provides additional fuel savings.



Limited Slip Differential and Lug Rear Tyres for extra traction.



Every Fuso Canter comes standard with the Fuso Multimedia Unit which includes satellite navigation with truck mapping, digital radio, Bluetooth® radio connectivity, iPod® interface and DVD player.

GVM:	GCM:	Optional GVM:	Optional GCM:
4500kg	8000kg		
6500kg	10000kg	4500kg	8000kg
4500kg	8000kg		
6500kg	10000kg	4500kg	8000kg

BRAKES

Type:	Hydraulic Dual Circuit with Front and Rear Discs Twin Calliper Front and Rear
Disc Diameter & Thickness:	235x40mm (Front and Rear) - 515 Model: - 715 Model: 310x40mm (Front and Rear)
Features:	ABS plus EBD (Electronic Brake Distribution) Exhaust Brake Brake Priority System
Park Brake:	Transmission Mounted

FRONT SUSPENSION

Type:	Multi-Leaf
Size:	1150x70mm Leaves
Shock Absorbers:	Double Acting

REAR SUSPENSION

Type:	Semi-Elliptic Leaf
Size:	1250x70mm Leaves - 515 Model: - 715 Model: - Main Leaves: 1250x70mm - Helper Leaves: 880x70
Shock Absorbers:	Double Acting

CHASSIS

Type:	- 515 Model: Tapered Frame with Box Reinforcement - 715 Model: Tapered Frame with Body Sub-frame
Tensile Strength:	- 515 Model: 440 MPa - 715 Model: 540 MPa
Size:	- 515 Model: 190x60x5mm - 715 Model: 212x65x6mm

WHEELS & TYRES

Wheel - Type:	7 x Single Piece Disc Rims (Including Spare)
- Size:	- 515 Model: 16x5 1/2K-115 - 715 Model: 17.5x6.00-127
- Stud Pattern:	- 515 Model: 5 Stud 208 PCD - 715 Model: 6 Stud 222.25 PCD
Tyre - Size:	- 515 Model: 205/85R16 117/115 - 715 Model: 215/75R17.5 124/123

OPTION

H31: (715 Model Only)	4500/8000kg GVM/GCM Rating
-----------------------	----------------------------

MAX. LOADING			
Model	Front	Rear	Total
515	2500kg	4500kg	4500kg
715	3100kg	6000kg	6500kg

INSTRUMENTS

Gauges:	Speedometer with Odometer Tachometer Fuel Level Water Temperature
Colour Information Display	Fuel Consumption DPF Bar Chart from 1-9 Water Temperature Maintenance Reminder System Tripmeters

CAB FEATURES

Type:	All Steel Forward Control Manual Tilt
Cab Structure:	ECE-R29 European Cab Strength Approved 715 wide cab only
Mounting:	Hydroelastic 4 Point
Colour:	Natural White
Windscreen Wipers:	2 Speed + Intermittent Cycle with Integrated Washer Nozzles
Rear Vision Mirrors	1 x Internal 2 x External Convex (ECE 46) - Heated
Seating Capacity:	3
Seats - Driver:	- 515 Model: Fixed Reclining with LH Arm Rest & Lumbar Support Suspended with LH Arm Rest Lumbar Support & Weight Adjustment - 715 Model:
Seats - Passenger:	Flat Folding, 2 Passenger Bench
Seat Belts	Lap Sash Belts for Outside Seating Positions Lap Belt for Centre Seats

MULTI-MEDIA PACKAGE

Satellite Navigation:	Maps with heavy vehicle weight, length, height & hazardous material selectable restrictions with 3 years of Map updates
Colour Display:	6.1 inch LCD with touch screen control
Phone Connectivity:	Bluetooth® hands free
Audio Visual Entertainment:	CD/DVD player and Digital radio DAB+ (also AM/FM for areas not covered by DAB+) USB port for iPod®* & other devices
Reversing Camera Compatible:	Display can accept up to 3 cameras#
* iPod® compatibility requires an additional licenced cable # Cameras available through spare parts	

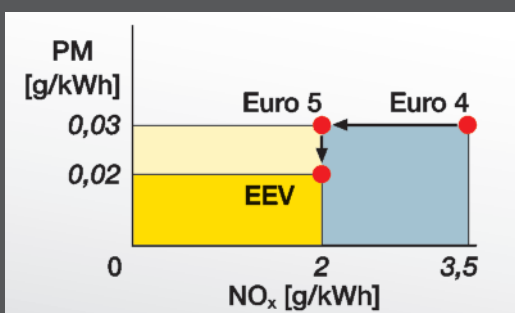
LIMITED SLIP DIFFERENTIAL

Limited Slip Differential:	Standard Auto Limitation of Amount of Wheel Slip No Driver Action required
Lug Rear Tyres:	Standard - for extra traction

MASS (KG - ESTIMATED)*

Model	Front	Rear	Total
FEA61BR3SFAC	1540	1055	2595
FEC81CR3SFAC	1665	1330	2995
FEA61BR4SFAC	1535	1040	2575
FEC81CR4SFAC	1660	1325	2985

Note: Mass (est.) includes oil and water but excludes spare wheel, tools & fuel
* Weights provided are subject to 3.5% variation (+/-)



All Euro 5 Canters also meet the rigorous EEV emission standard. EEV stands for 'Enhanced Environmental Friendly Vehicle', a European emission standard that exceeds Euro 5.



Driver's Suspension Seat is standard on the 715 tipper model. It features adjustable dual spring and shock absorber damping, LH arm rest and lumbar support.



In testing, the new FUSO Canter travelled a distance of over 3 million kilometres, the equivalent of 7 times the distance from Earth to the Moon.

SPECIFICATIONS

STANDARD FEATURES

Driving

Dual Air Bags and Seat Belt Pre-Tensioners (Driver & Far Side Passenger)

Driver's Suspended Seat (715 Only)

Hill Start System (Manual Only)

Electric Windows

Fuso Multimedia Unit

Keyless Central Locking

Air Conditioner / Heater / Demister

12V Accessory Power Outlet / Cigar Lighter

Cup Holders (2)

Storage

Dual Overhead Storage Pockets

In-Dash Centre Document Storage

Door Storage Pockets

Dash Storage Tray (1 DIN)

Coat Hooks

Cab: External

Front End-Outline Marker Lamps

Door Side Impact Beams

Chassis

Reverse Warning Buzzer

Service

30,000km Intervals or 12 Months*

*based on normal operating conditions and may be reduced when operating under severe conditions.

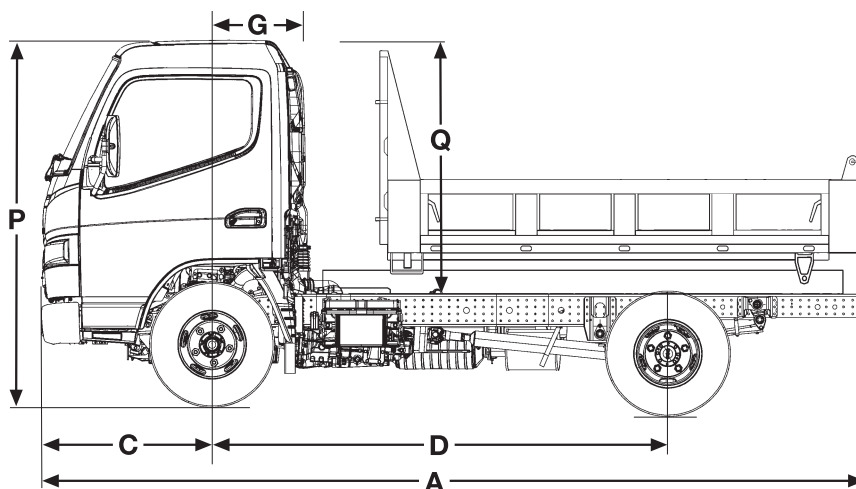
DIMENSIONS (MM)

		515	715
Width	Front Fender:	1695	1995
	Rear Axle:	1685	2034
	Frame:	701	850
Length A	Overall:	4690	5145
	C Front Overhang:	990	1140
	D Wheelbase:	2500	2800
	G Front Axle to Rear of Cab:	525	525
Height	P Cab to Ground:	2175	2190
	Q Cab to Frame:	1471	1515
Body	Width Outside	1870	2155
	Width Inside	1780	2060
	Length Inside	3050	2850
	Capacity (cubic metres)	2.0	2.1
Turning Circle (kerb to kerb):		9.4m	10.4m

PERFORMANCE - (CALCULATED-PAVED ROAD)

	515 Duonic	715 Duonic	515 Manual	715 Manual
Road Speed (km/h) at Max. Engine Speed:	136	127	134	130
Engine Speed (rpm) at 100km/hr (top gear):	2661	2817	2531	2687
Gradeability** at Rated GVM:	54%	31%	55%	29%

** This is Theoretical Performance and may vary under different conditions.



WARRANTY

3 YEAR & 3 YEAR

Basic/Powertrain

3 Years, 100,000kms or 2,000 operating hours
(whichever comes first)

3 Years Cab Perforation/Anti Corrosion

Call 1300 426 812 or visit fuso.com.au

