

FIGHTER
SPECIFICATION
SHEET

4X2

1024

TRANSMISSION PARK BRAKE

FK6TF/G



177kW • 10400kg GVM • 16000kg GCM



DRIVER'S AIR BAG
HILL START ASSIST
ISRI DRIVER'S SEAT
30,000KM SERVICE INTERVALS

SPECIFICATIONS

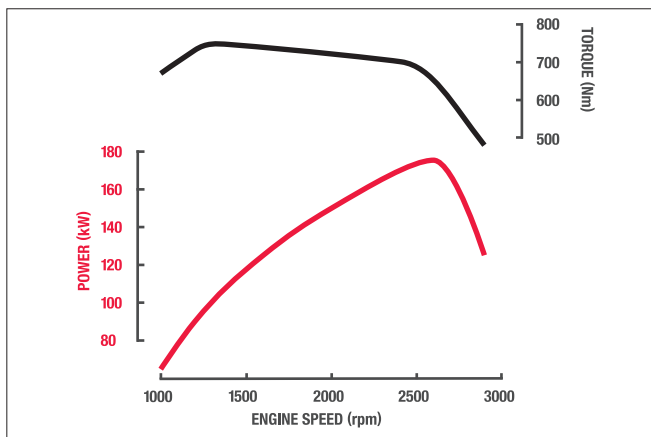
MODEL:
FK61FH1RFAG swb
FK61FL1RFAG lwb

WHEEL BASE
4270mm
5210mm

ENGINE

Mitsubishi FUSO 6M60-9AT1 Diesel (ADR 80/03-Euro V)

Configuration:	6 Cyl. In-line OHC, 4-Valve
Type:	Turbocharged with Air to Air Intercooler, PCV & Common Rail Fuel System, SCR after-treatment system (BlueTec)
Displacement:	7545cc
Bore:	118mm
Stroke:	115mm
Power (ECE R85-00):	177kW @ 2500 rpm
Torque (ECE R85-00):	745Nm @ 1400 rpm
Maximum Engine Speed:	2900 rpm
Compression Ratio:	16.0:1
Oil Cooler:	Plate Type, Water Cooled
Air Cleaner:	Paper Element with Restrictor Indicator Vertical Intake Mounted on Clean Air Side (RH)



FUEL

Injection System:	DENSO Common Rail System
Governor:	Electronic
Tank Type:	Rectangular Steel
Fuel Capacity:	200 Litres
AdBlue Exhaust Fluid Capacity:	22 Litres

COOLING

Fan:	540mm dia. 10 Blades
Fan Drive:	Thermo Modulated
Radiator:	Corrugated Fin with Expansion Tank

ELECTRICAL

Voltage:	24V Negative Earth
Alternator Capacity:	24V-80 amp
Starter Capacity:	24V-5.0kW
Battery Capacity:	2x12V, 65Ah/5hr
Headlamp - Type:	Halogen
- Capacity:	Low Beam 2x70W High Beam 2x70W

CLUTCH

Mitsubishi FUSO C7M38	
Disc Diameter:	380mm
Type:	Single Dry Plate
Operation:	Air Assisted Hydraulic

TRANSMISSION

Mitsubishi FUSO M060S6-0D	
No. of Speeds:	6 with Air Assisted Gearshift
Synchromesh:	2nd~6th
Ratios - 1st:	6.748
- 2nd:	4.112
- 3rd:	2.415
- 4th:	1.514
- 5th:	1.000
- 6th:	0.731
- Rev:	6.748
PTO Opening:	LH Side

PROPELLER SHAFT

Type:	P8
Universal Joint:	Needle Roller

FRONT AXLE

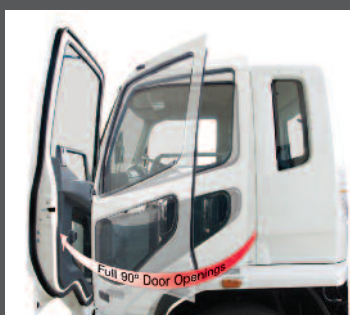
Mitsubishi FUSO F400T	
Type:	Reverse Elliot 'I' Beam
Capacity:	3800kg

REAR AXLE

Mitsubishi FUSO R050T/D050H	
Type:	Full Floating Hypoid
Capacity:	7800kg
Ratio:	4.625:1

STEERING

Type:	Integral Power Assisted Ball and Nut
Ratio:	17.1~20.0:1
Steering Column:	Tilt/Telescopic Adjustable with Lock



Full 90 degree door opening for easy access. Passenger door has transom window for improved visibility.



The ISRI air suspended driver's seat provides high levels of comfort and support.



Every Fuso Fighter comes standard with the Fuso Multimedia Unit which includes satellite navigation with truck mapping, digital radio, Bluetooth® radio connectivity, iPod® interface and DVD player.

GVM:
10400kg
10400kg

GCM:
16000kg
16000kg

BRAKES

Type:	Air Actuated Hydraulic Dual Circuit ABS with Automatic Brake Adjustment
Size - Front:	320x120mm
- Rear:	320x140mm
Park Brake:	Transmission Mounted
Auxiliary:	Exhaust Brake
Compressor:	Water Cooled, 340cc Single Cyl.
Air Dryer Model:	DU3

FRONT SUSPENSION

Type:	Parabolic Leaf with Stabiliser Bar
Size:	1300x70mm Leaves
Shock Absorbers:	Double Acting

REAR SUSPENSION

Type:	Semi-Elliptic Leaf with Stabiliser Bar
Size:	1300x70mm Leaves
Auxiliary:	900x70mm Leaves

CHASSIS

Type:	Parallel Channel
Size:	228x80x7.0mm
Width:	842mm
Tensile Strength:	540Mpa

WHEELS & TYRES

Wheel - Type:	7, Single Piece Disc
- Size:	17.5x6.75DC-131-10t
- Stud Pattern:	6x222.25mm PCD
Tyre - Size:	235/75R17.5LT 132/130M
Spare Tyre Carrier:	Provided

OPTIONAL EQUIPMENT

H38: 8000kg GVM Rating

MASS (KG - ESTIMATED)*

Model	Front	Rear	Total
FK61FH1RFAG	2220	1220	3440
FK61FL1RFAG	2260	1280	3540

Note: Mass (est.) includes oil and water but excludes spare wheel, tools & fuel
*Weights provided are subject to 3.5% variation (+/-)

MAX. LOADING		
Front	Rear	Total
3600kg	6800kg	10400kg

INSTRUMENTS

Gauges:	Speedometer with Odometer Tachometer Air Pressure (2) Fuel Level Water Temperature
Colour Information Display	Fuel Consumption Service Indicators Hour Meter and Tripmeter
Warning Lamps:	ABS Turn Signal High Beam Exhaust Brake Oil Level Ad Blue Low Fuel Low Park Brake Alternator Oil Filter Blockage Engine Control / Cruise Control (ECU) Air Filter Restriction Fuel Filter Water Contamination Door Opening Cab Tilt Lock
Warning Lamp/Buzzer:	Air Pressure Brake Fluid Level / Dual Circuit Oil Pressure Engine Overheat / Low Coolant Level

CAB FEATURES

All Steel Forward Control	
Type:	Manual Tilt 44 deg.
Mounting:	Hydroelastic Susp. 4 Point
Colour:	Natural White
Interior:	Fully Trimmed
Windscreen:	Laminated Tinted
Windscreen Wipers:	2 Speed + Intermittent Cycle with Integrated Washer Nozzles
Door:	90 degree Opening Angle
Steering Column:	Telescopic & Tilt
Rear Vision Mirrors	Remote / Heated with Convex Spotter (Both Sides)
Seating Capacity:	3
Seat Belts:	2 ELR Lap Sash, 1 Lap
Seats - Driver:	ISRI Air Suspension with Height, Tilt and Dampening Adjustment Integral Headrest and Fabric Trim Low Back with Fabric Trim Forward Folding
- Centre:	Fixed Base
- LH:	Reclining Integral Headrest and Fabric Trim

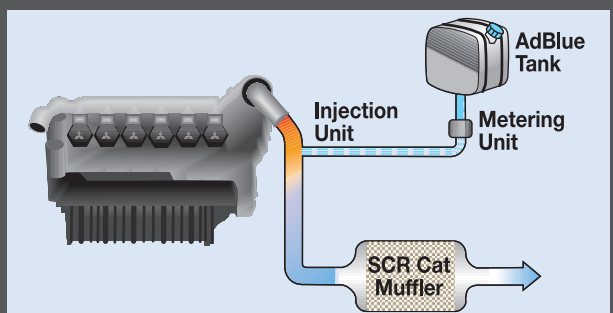
MULTI-MEDIA PACKAGE

Satellite Navigation:	Maps with heavy vehicle weight, length, height & hazardous material selectable restrictions with 3 years of Map updates
Colour Display:	6.1 inch LCD with touch screen control
Phone Connectivity:	Bluetooth® hands free
Audio Visual Entertainment:	CD/DVD player and Digital radio DAB+ (also AM/FM for areas not covered by DAB+) USB port for iPod®* & other devices
Reversing Camera Compatible:	Display can accept up to 3 cameras#

* iPod® compatibility requires an additional licenced cable
Cameras available through spare parts



The new dash has a colour display that shows important information such as average and current fuel consumption.



SCR is a simple system that allows the engine to be tuned for optimal combustion and injects AdBlue into the exhaust to reduce emissions.

SPECIFICATIONS

STANDARD FEATURES

Driving

Driver's Air Bag and Seat Belt Pre-tensioners
Hill Start System
Keyless Central Locking
Electric Windows
Cruise Control
LH Transom Window
24V Accessory Power Outlet / Cigar Lighter
Air Conditioner / Heater / Demister
Fuso Multimedia Unit
Cup Holders (4)
Rear Quarter Glass
Fluorescent Cabin Lamp and Interior Reading Lamps
Engine Idle Speed Control

Storage

Centre Seat Storage Console
LH Seat Storage Tray
Rear Bunk Storage Pocket
Dash Storage Tray 2 DIN Glove Compartment
1 Single & 1 Double DIN Slot for Accessories
Overhead Storage Pocket with Lid
RH Door Storage Pocket

Cab: External

Roof Mounting Points (max. static load 70kg)
Front End-Outline Marker Lamps

Chassis

Chassis Mounted Tool Box
Reverse Warning Buzzer

Service

30,000km Intervals or 12 Months

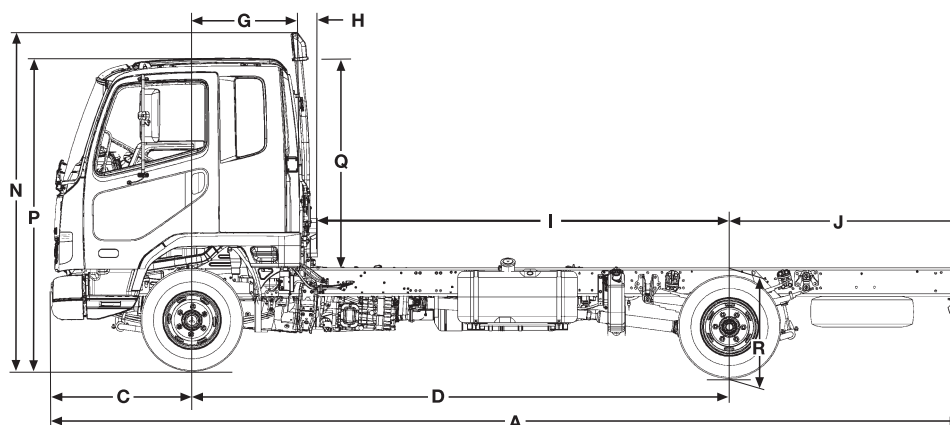
DIMENSIONS (MM)

Wb = Wheel Base		H Wb	L Wb	
Width	Front Fender:	2170	2170	
	Rear Axle:	2175	2175	
	Front Track:	1810	1810	
	Rear Track:	1665	1665	
	Frame:	842	842	
Max. Recommended Body Width:		2500	2500	
Length A Overall:	Overall:	7220	8645	
	C Front Overhang:	1135	1135	
	D Wheelbase:	4270	5210	
	G Front Axle to Rear of Cab:	855	855	
	H Rear of Cab to Rear of Engine Cover:	130	130	
	I Frame, Rear of Engine Cover to Rear Axle:	3285	4225	
	J Frame, Rear Axle to End:	1815	2300	
	Height N Overall:	Overall:	2675	2675
		P Cab to Ground:	2470	2470
		Q Cab to Frame:	1669	1669
R Rear Frame to Ground:		863	861	

PERFORMANCE - (CALCULATED-PAVED ROAD)

Engine Speed at 100km/hr (top gear) rpm	2288	2288
Road Speed (km/h) at Max. Engine Speed:	125	125
Gradeability* at Rated GVM:	57%	57%
Gradeability* at Rated GCM:	34%	34%
Turning Circle (kerb to kerb):	13.8m	16.6m

* This is Theoretical Performance (it may vary under different conditions).



Note: Chassis reinforcement must be utilised for Tipper/Demountable type body configurations.

To conform with ADR 13/00 and 14/02 (lighting/mirror requirements) the following must be adhered to at body installation.

- If other than a flat type or tipper body is fitted, rear end out-line marker lamps must be installed.
- If overall length exceeds 6.0 metres, side reflectors must be installed.
- If overall length exceeds 7.5 metres, side marker lamps must be installed.
- If overall width is less than 2.4 metres, the mirrors must be modified to project not more than 230mm.

To conform with ADR 42/04 (General Safety), rear wheel guards must be fitted to the vehicle.

WARRANTY

3 YEAR & 3 YEAR

Basic/Powertrain

3 Years, 150,000kms or 3,000 operating hours
(whichever comes first)
3 Years Cab Perforation/Anti Corrosion

Call 1300 426 812 or visit fuso.com.au

