

FIGHTER
SPECIFICATION
SHEET

4X2

1224

ALLISON 5 SPEED AUTO

FK62F/D



177kW • 12000kg GVM • 15000kg GCM • LOW CHASSIS HEIGHT



DRIVER'S AIR BAG
ISRI DRIVER'S SEAT
30,000KM SERVICE INTERVALS

SPECIFICATIONS

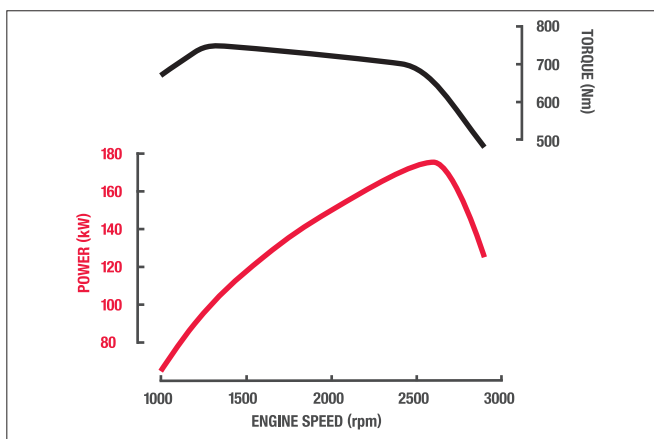
MODEL:
FK62FLZ1RFAD lwb

WHEEL BASE
5210mm

ENGINE

Mitsubishi FUSO 6M60-9AT1 Diesel (ADR 80/03-Euro V)

Configuration:	6 Cyl. In-line OHC, 4-Valve
Type:	Turbocharged with Air to Air Intercooler, PCV & Common Rail Fuel System, SCR after-treatment system (BlueTec)
Displacement:	7545cc
Bore:	118mm
Stroke:	115mm
Power (ECE R85-00):	177kW @ 2500 rpm
Torque (ECE R85-00):	745Nm @ 1400 rpm
Maximum Engine Speed:	2900 rpm
Compression Ratio:	16.0:1
Oil Cooler:	Plate Type, Water Cooled
Air Cleaner:	Paper Element with Restrictor Indicator Vertical Intake Mounted on Clean Air Side (RH)



FUEL

Injection System:	DENSO Common Rail System
Governor:	Electronic
Tank Type:	Rectangular Steel
Fuel Capacity:	200 Litres
AdBlue Exhaust Fluid Capacity:	22 Litres

COOLING

Fan:	540mm dia. 10 Blades
Fan Drive:	Thermo Modulated
Radiator:	Corrugated Fin with Expansion Tank

ELECTRICAL

Voltage:	24V Negative Earth
Alternator Capacity:	24V-80 amp
Starter Capacity:	24V-5.0kW
Battery Capacity:	2x12V, 65Ah/5hr
Headlamp - Type:	Halogen
- Capacity:	Low Beam 2x70W High Beam 2x70W

AUTOMATIC TRANSMISSION

Allison 2500 Series	
No. of Speeds:	5
Torque Converter:	TC222/1.58
Ratios - 1st:	3.512
- 2nd:	1.896
- 3rd:	1.439
- 4th:	1.000
- 5th:	0.737
- Rev.:	5.086
PTO Opening:	LH & RH Side
Fluid Cooling:	Cooler mounted in front of Radiator

PROPELLER SHAFT

Type:	P8
Universal Joint:	Needle Roller

FRONT AXLE

Mitsubishi FUSO F500T	
Type:	Reverse Elliot 'I' Beam
Capacity:	5000kg

REAR AXLE

Mitsubishi FUSO R052T/D052H	
Type:	Full Floating Hypoid
Capacity:	9500kg
Ratio:	5.428:1

STEERING

Type:	Integral Power Assisted Ball and Nut
Ratio:	18.0~19.8:1
Steering Column:	Tilt/Telescopic Adjustable with Lock



Full 90 degree door opening for easy access. Passenger door has transom window for improved visibility.



The ISRI air suspended driver's seat provides high levels of comfort and support.



Every Fuso Fighter comes standard with the Fuso Multimedia Unit which includes satellite navigation with truck mapping, digital radio, Bluetooth® radio connectivity, iPod® interface and DVD player.

GVM:
12000kg

GCM:
15000kg

BRAKES

Type:	Full Air, Dual Circuit, Mitsubishi FUSO Taper Roller, Automatic Brake Adjustment, ABS with ASR (Anti Slip Regulator)
Size - Front:	370x150mm
- Rear:	370x150mm
Park Brake:	Rear Wheel Spring Actuated
Auxiliary:	Exhaust Brake
Compressor:	Water Cooled, 340cc Single Cyl.
Air Dryer Model:	DU5

FRONT SUSPENSION

Type:	Parabolic Leaf with Stabiliser Bar
Size:	1300x70mm Leaves
Shock Absorbers:	Double Acting

REAR SUSPENSION

Type:	Semi-Elliptic Leaf with Stabiliser Bar
Size:	1300x70mm Leaves
Auxiliary:	900x70mm Leaves

CHASSIS

Type:	Parallel Channel
Size:	230x80x8.0mm
Width:	844mm
Tensile Strength:	540Mpa

WHEELS & TYRES

Wheel - Type:	7, Single Piece Disc
- Size:	19.5x6.75DC-147-13t
- Stud Pattern:	8x285mm PCD
Tyre - Size:	265/70R19.5 140/138M
Spare Tyre Carrier:	Provided

OPTIONAL EQUIPMENT

R05:	Limited Slip Differential (LSD)
------	---------------------------------

MASS (KG - ESTIMATED)*

Model	Front	Rear	Total
FK62FLZ1RFAD	2410	1500	3910

Note: Mass (est.) includes oil and water but excludes spare wheel, tools & fuel
* Weights provided are subject to 3.5% variation (+/-)

MAX. LOADING		
Front	Rear	Total
4500kg	9200kg	12000kg

INSTRUMENTS

Gauges:	Speedometer with Odometer Tachometer Air Pressure (2) Fuel Level Water Temperature
Colour Information Display	Fuel Consumption Service Indicators Hour Meter and Tripmeter
Warning Lamps:	ABS Turn Signal High Beam Exhaust Brake Oil Level Ad Blue Low Fuel Low Park Brake Alternator Oil Filter Blockage Engine Control / Cruise Control (ECU) Air Filter Restriction Fuel Filter Water Contamination Door Opening Cab Tilt Lock
Warning Lamp/Buzzer:	Air Pressure Oil Pressure Engine Overheat / Low Coolant Level

CAB FEATURES

All Steel Forward Control	
Type:	Manual Tilt 44 deg.
Mounting:	Hydroelastic Susp. 4 Point
Colour:	Natural White
Interior:	Fully Trimmed
Windscreen:	Laminated Tinted
Windscreen Wipers:	2 Speed + Intermittent Cycle with Integrated Washer Nozzles
Door:	90 degree Opening Angle
Steering Column:	Telescopic & Tilt
Rear Vision Mirrors	Remote / Heated with Convex Spotter (Both Sides)
Seating Capacity:	3
Seat Belts:	2 ELR Lap Sash, 1 Lap
Seats - Driver:	ISRI Air Suspension with Height, Tilt and Dampening Adjustment Integral Headrest and Fabric Trim
- Centre:	Low Back with Fabric Trim Forward Folding
- LH:	Fixed Base Reclining Integral Headrest and Fabric Trim

MULTI-MEDIA PACKAGE

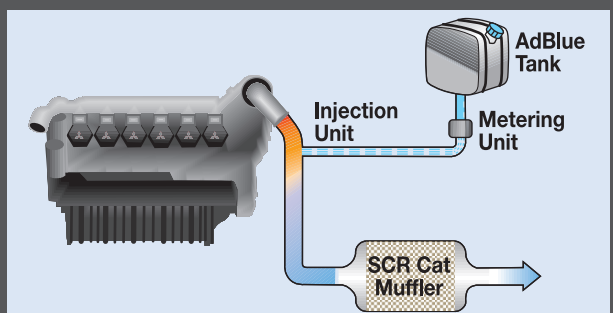
Satellite Navigation:	Maps with heavy vehicle weight, length, height & hazardous material selectable restrictions with 3 years of Map updates
Colour Display:	6.1 inch LCD with touch screen control
Phone Connectivity:	Bluetooth® hands free
Audio Visual Entertainment:	CD/DVD player and Digital radio DAB+ (also AM/FM for areas not covered by DAB+) USB port for iPod®* & other devices
Reversing Camera Compatible:	Display can accept up to 3 cameras#

* iPod® compatibility requires an additional licenced cable

Cameras available through spare parts



The new dash has a colour display that shows important information such as average and current fuel consumption.



SCR is a simple system that allows the engine to be tuned for optimal combustion and injects AdBlue into the exhaust to reduce emissions.

SPECIFICATIONS

STANDARD FEATURES

Driving

Driver's Air Bag and Seat Belt Pre-tensioners
Keyless Central Locking
Electric Windows
Cruise Control
LH Transom Window
24V Accessory Power Outlet / Cigar Lighter
Air Conditioner / Heater / Demister
Fuso Multimedia Unit
Cup Holders (4)
Rear Quarter Glass
Fluorescent Cabin Lamp and Interior Reading Lamps
Engine Idle Speed Control

Storage

Centre Seat Storage Console
LH Seat Storage Tray
Rear Bunk Storage Pocket
Dash Storage Tray 2 DIN Glove Compartment
1 Single & 1 Double DIN Slot for Accessories
Overhead Storage Pocket with Lid
RH Door Storage Pocket

Cab: External

Roof Mounting Points (max. static load 70kg)
Front End-Outline Marker Lamps

Chassis

Chassis Mounted Tool Box
Reverse Warning Buzzer

Service

30,000km Intervals or 12 Months

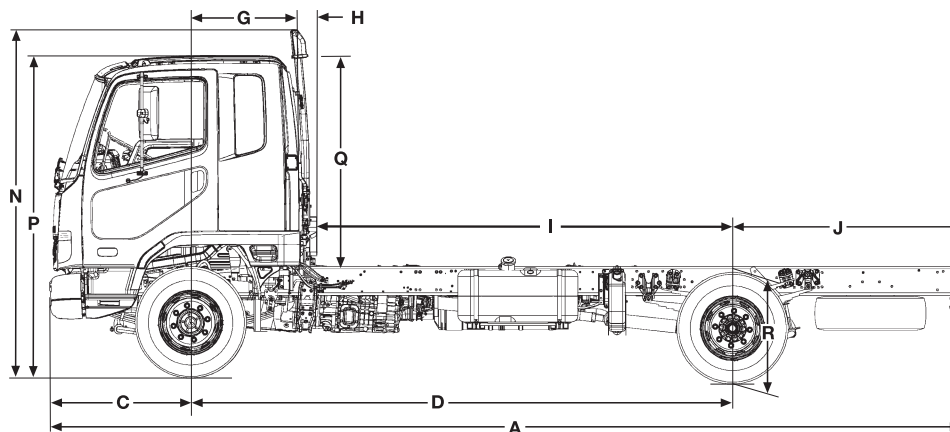
DIMENSIONS (MM)

Wb = Wheel Base		L Wb
Width	Front Fender:	2170
	Rear Axle:	2270
	Front Track:	1780
	Rear Track:	1710
	Frame:	844
Length A	Overall:	8645
	C Front Overhang:	1135
	D Wheelbase:	5210
	G Front Axle to Rear of Cab:	855
	H Rear of Cab to Rear of Engine Cover:	130
	I Frame, Rear of Engine Cover to Rear Axle:	4225
J Frame, Rear Axle to End:	2300	
Height N	Overall:	2732
	P Cab to Ground:	2527
	Q Cab to Frame:	1669
	R Rear Frame to Ground:	931

PERFORMANCE - (CALCULATED-PAVED ROAD)

Engine Speed at 100km/hr (top gear) rpm	2514
Road Speed (km/h) at Max. Engine Speed:	115
Gradeability* at Rated GVM:	38%
Gradeability* at Rated GCM:	29%
Turning Circle (kerb to kerb):	18.2m

* This is Theoretical Performance (it may vary under different conditions).



Note: Chassis reinforcement must be utilised for Tipper/Demountable type body configurations.

To conform with ADR 13/00 and 14/02 (lighting/mirror requirements) the following must be adhered to at body installation.

- If other than a flat type or tipper body is fitted, rear end out-line marker lamps must be installed.
- If overall length exceeds 6.0 metres, side reflectors must be installed.
- If overall length exceeds 7.5 metres, side marker lamps must be installed.
- If overall width is less than 2.4 metres, the mirrors must be modified to project not more than 230mm.

To conform with ADR 42/04 (General Safety), rear wheel guards must be fitted to the vehicle.

WARRANTY

3 YEAR & 3 YEAR

Basic/Powertrain

3 Years, 150,000kms or 3,000 operating hours
(whichever comes first)

3 Years Cab Perforation/Anti Corrosion

Call 1300 426 812 or visit fuso.com.au

