

**FIGHTER**  
**SPECIFICATION**  
**SHEET**

**4X2**

**1224**

**STEEL SUSPENSION**

**FK62F**



**177kW • 12000kg GVM • 20000kg GCM • LOW CHASSIS HEIGHT**



**DRIVER'S AIR BAG**  
**HILL START ASSIST**  
**ISRI DRIVER'S SEAT**  
**30,000KM SERVICE INTERVALS**

# SPECIFICATIONS

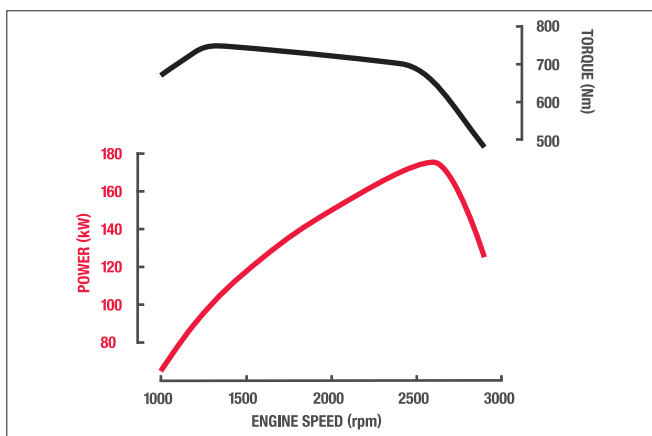
MODEL:  
FK62FHZ1RFAC swb  
FK62FLZ1RFAC lwb

WHEEL BASE  
4270mm  
5210mm

## ENGINE

### Mitsubishi FUSO 6M60-9AT1 Diesel (ADR 80/03-Euro V)

Configuration:	6 Cyl. In-line OHC, 4-Valve
Type:	Turbocharged with Air to Air Intercooler, PCV & Common Rail Fuel System, SCR after-treatment system (BlueTec)
Displacement:	7545cc
Bore:	118mm
Stroke:	115mm
Power (ECE R85-00):	177kW @ 2500 rpm
Torque (ECE R85-00):	745Nm @ 1400 rpm
Maximum Engine Speed:	2900 rpm
Compression Ratio:	16.0:1
Oil Cooler:	Plate Type, Water Cooled
Air Cleaner:	Paper Element with Restrictor Indicator Vertical Intake Mounted on Clean Air Side (RH)



## FUEL

Injection System:	DENSO Common Rail System
Governor:	Electronic
Tank Type:	Rectangular Steel
Fuel Capacity:	200 Litres
AdBlue Exhaust Fluid Capacity:	22 Litres

## COOLING

Fan:	540mm dia. 10 Blades
Fan Drive:	Thermo Modulated
Radiator:	Corrugated Fin with Expansion Tank

## ELECTRICAL

Voltage:	24V Negative Earth
Alternator Capacity:	24V-80 amp
Starter Capacity:	24V-5.0kW
Battery Capacity:	2x12V, 65Ah/5hr
Headlamp - Type:	Halogen
- Capacity:	Low Beam 2x70W High Beam 2x70W

## CLUTCH

### Mitsubishi FUSO C7M38

Disc Diameter:	380mm
Type:	Single Dry Plate
Operation:	Air Assisted Hydraulic

## TRANSMISSION

### Mitsubishi FUSO M070S6-0D

No. of Speeds:	6 with Air Assisted Gearshift
Synchromesh:	2nd-6th
Ratios - 1st:	6.807
- 2nd:	4.172
- 3rd:	2.396
- 4th:	1.504
- 5th:	1.000
- 6th:	0.774
- Rev:	6.807
PTO Opening:	LH Side

## PROPELLER SHAFT

Type:	P10
Universal Joint:	Needle Roller

## FRONT AXLE

### Mitsubishi FUSO F500T

Type:	Reverse Elliot 'I' Beam
Capacity:	5000kg

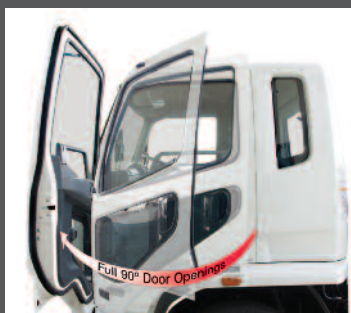
## REAR AXLE

### Mitsubishi FUSO R052T/D052H

Type:	Full Floating Hypoid
Capacity:	9500kg
Ratio:	4.875:1

## STEERING

Type:	Integral Power Assisted Ball and Nut
Ratio:	18.0~19.8:1
Steering Column:	Tilt/Telescopic Adjustable with Lock



Full 90 degree door opening for easy access. Passenger door has transom window for improved visibility.



The ISRI air suspended driver's seat provides high levels of comfort and support.



Every Fuso Fighter comes standard with the Fuso Multimedia Unit which includes satellite navigation with truck mapping, digital radio, Bluetooth® radio connectivity, iPod® interface and DVD player.

GVM:  
12000kg  
12000kg

GCM:  
20000kg  
20000kg

## BRAKES

Type:	Full Air, Dual Circuit, Mitsubishi FUSO Taper Roller, Automatic Brake Adjustment, ABS with ASR (Anti Slip Regulator)
Size - Front:	370x150mm
- Rear:	370x150mm
Park Brake:	Rear Wheel Spring Actuated
Auxiliary:	Exhaust Brake
Compressor:	Water Cooled, 340cc Single Cyl.
Air Dryer Model:	DU5

## FRONT SUSPENSION

Type:	Parabolic Leaf with Stabiliser Bar
Size:	1300x70mm Leaves
Shock Absorbers:	Double Acting

## REAR SUSPENSION

Type:	Semi-Elliptic Leaf with Stabiliser Bar
Size:	1300x70mm Leaves
Auxiliary:	900x70mm Leaves

## CHASSIS

Type:	Parallel Channel
Size:	230x80x8.0mm
Width:	844mm
Tensile Strength:	540Mpa

## WHEELS & TYRES

Wheel - Type:	7, Single Piece Disc
- Size:	19.5x6.75DC-147-13t
- Stud Pattern:	8x285mm PCD
Tyre - Size:	265/70R19.5 140/138M
Spare Tyre Carrier:	Provided

## OPTIONAL EQUIPMENT

R05 (FK62FL only):	Limited Slip Differential (LSD)
--------------------	---------------------------------

## MASS (KG - ESTIMATED)\*

Model	Front	Rear	Total
FK62FHZ1RFAC	2390	1455	3845
FK62FLZ1RFAC	2455	1505	3960

Note: Mass (est.) includes oil and water but excludes spare wheel, tools & fuel  
\*Weights provided are subject to 3.5% variation (+/-)

MAX. LOADING		
Front	Rear	Total
4500kg	9200kg	12000kg

## INSTRUMENTS

Gauges:	Speedometer with Odometer Tachometer Air Pressure (2) Fuel Level Water Temperature
Colour Information Display	Fuel Consumption Service Indicators Hour Meter and Tripmeter
Warning Lamps:	ABS Turn Signal High Beam Exhaust Brake Oil Level Ad Blue Low Fuel Low Park Brake Alternator Oil Filter Blockage Engine Control / Cruise Control (ECU) Air Filter Restriction Fuel Filter Water Contamination Door Opening Cab Tilt Lock
Warning Lamp/Buzzer:	Air Pressure Oil Pressure Engine Overheat / Low Coolant Level

## CAB FEATURES

All Steel Forward Control	
Type:	Manual Tilt 44 deg.
Mounting:	Hydroelastic Susp. 4 Point
Colour:	Natural White
Interior:	Fully Trimmed
Windscreen:	Laminated Tinted
Windscreen Wipers:	2 Speed + Intermittent Cycle with Integrated Washer Nozzles
Door:	90 degree Opening Angle
Steering Column:	Telescopic & Tilt
Rear Vision Mirrors	Remote / Heated with Convex Spotter (Both Sides)
Seating Capacity:	3
Seat Belts:	2 ELR Lap Sash, 1 Lap
Seats - Driver:	ISRI Air Suspension with Height, Tilt and Dampening Adjustment Integral Headrest and Fabric Trim
- Centre:	Low Back with Fabric Trim Forward Folding
- LH:	Fixed Base Reclining Integral Headrest and Fabric Trim

## MULTI-MEDIA PACKAGE

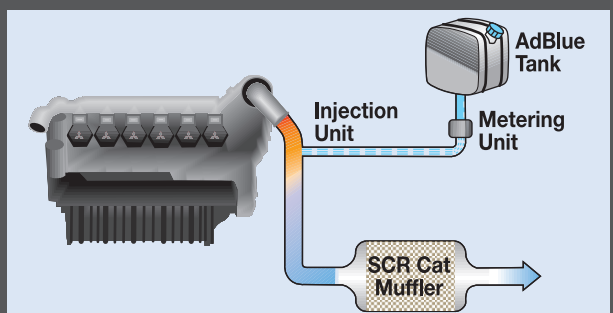
Satellite Navigation:	Maps with heavy vehicle weight, length, height & hazardous material selectable restrictions with 3 years of Map updates
Colour Display:	6.1 inch LCD with touch screen control
Phone Connectivity:	Bluetooth® hands free
Audio Visual Entertainment:	CD/DVD player and Digital radio DAB+ (also AM/FM for areas not covered by DAB+) USB port for iPod®* & other devices
Reversing Camera Compatible:	Display can accept up to 3 cameras#

\* iPod® compatibility requires an additional licenced cable

# Cameras available through spare parts



The new dash has a colour display that shows important information such as average and current fuel consumption.



SCR is a simple system that allows the engine to be tuned for optimal combustion and injects AdBlue into the exhaust to reduce emissions.

# SPECIFICATIONS

## STANDARD FEATURES

### Driving

Driver's Air Bag and Seat Belt Pre-tensioners  
Hill Start System  
ASR (Traction Control)  
Keyless Central Locking  
Electric Windows  
Cruise Control  
LH Transom Window  
24V Accessory Power Outlet / Cigar Lighter  
Air Conditioner / Heater / Demister  
Fuso Multimedia Unit  
Cup Holders (4)  
Rear Quarter Glass  
Fluorescent Cabin Lamp and Interior Reading Lamps  
Engine Idle Speed Control

### Storage

Centre Seat Storage Console  
LH Seat Storage Tray  
Rear Bunk Storage Pocket  
Dash Storage Tray 2 DIN Glove Compartment  
1 Single & 1 Double DIN Slot for Accessories  
Overhead Storage Pocket with Lid  
RH Door Storage Pocket

### Cab: External

Roof Mounting Points (max. static load 70kg)  
Front End-Outline Marker Lamps

### Chassis

Chassis Mounted Tool Box  
Reverse Warning Buzzer

### Service

30,000km Intervals or 12 Months

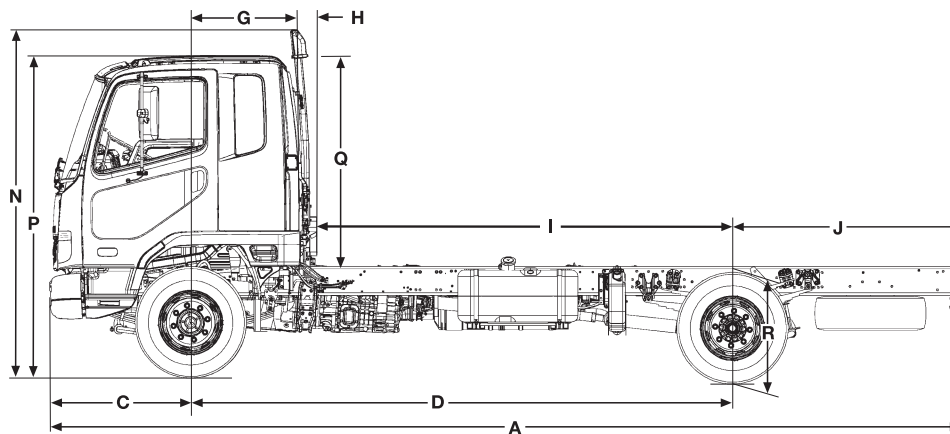
## DIMENSIONS (MM)

Wb = Wheel Base		H Wb	L Wb
Width	Front Fender:	2170	2170
	Rear Axle:	2270	2270
	Front Track:	1780	1780
	Rear Track:	1710	1710
	Frame:	844	844
Length A	Overall:	7220	8645
	C Front Overhang:	1135	1135
	D Wheelbase:	4270	5210
	G Front Axle to Rear of Cab:	855	855
	H Rear of Cab to Rear of Engine Cover:	130	130
	I Frame, Rear of Engine Cover to Rear Axle:	3285	4225
	J Frame, Rear Axle to End:	1815	2300
Height N	Overall:	2733	2732
	P Cab to Ground:	2528	2527
	Q Cab to Frame:	1669	1669
	R Rear Frame to Ground:	932	931

## PERFORMANCE - (CALCULATED-PAVED ROAD)

Engine Speed at 100km/hr (top gear) rpm	2371	2371
Road Speed (km/h) at Max. Engine Speed:	122	122
Gradeability* at Rated GVM:	46%	46%
Gradeability* at Rated GCM:	25%	25%
Turning Circle (kerb to kerb):	15.2m	18.2m

\* This is Theoretical Performance (it may vary under different conditions).



Note: Chassis reinforcement must be utilised for Tipper/Demountable type body configurations.

To conform with ADR 13/00 and 14/02 (lighting/mirror requirements) the following must be adhered to at body installation.

- If other than a flat type or tipper body is fitted, rear end out-line marker lamps must be installed.
- If overall length exceeds 6.0 metres, side reflectors must be installed.
- If overall length exceeds 7.5 metres, side marker lamps must be installed.
- If overall width is less than 2.4 metres, the mirrors must be modified to project not more than 230mm.

To conform with ADR 42/04 (General Safety), rear wheel guards must be fitted to the vehicle.

## WARRANTY

### 3 YEAR & 3 YEAR

#### Basic/Powertrain

3 Years, 150,000kms or 3,000 operating hours  
(whichever comes first)  
3 Years Cab Perforation/Anti Corrosion

Call 1300 426 812 or visit [fuso.com.au](http://fuso.com.au)

