

FIGHTER

**SPECIFICATION
SHEET**

4X2

1424

STEEL SUSPENSION

FK62F/H



177kW • 13500kg GVM • 20000kg GCM • LOW CHASSIS HEIGHT



**INTEGRATED
FRONT UNDERRUN
PROTECTION SYSTEM**

**DRIVER'S AIR BAG
HILL START ASSIST
ISRI DRIVER'S SEAT
30,000KM SERVICE INTERVALS**


FUSO

SPECIFICATIONS

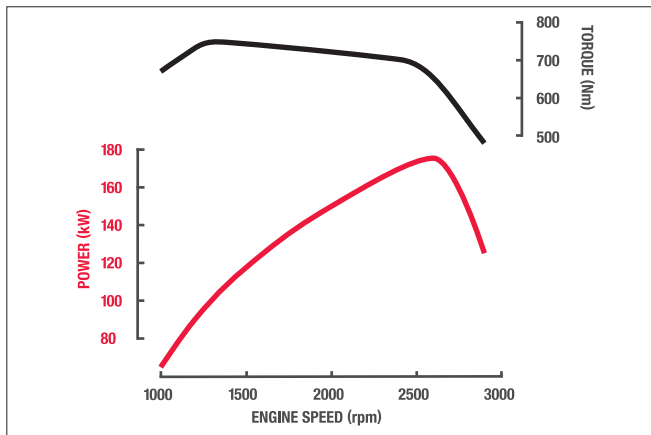
MODEL:
FK62FLZ1RFAH lwb

WHEEL BASE
5210mm

ENGINE

Mitsubishi FUSO 6M60-9AT1 Diesel (ADR 80/03-Euro V)

| | |
|-----------------------|---|
| Configuration: | 6 Cyl. In-line OHC, 4-Valve |
| Type: | Turbocharged with Air to Air Intercooler, PCV & Common Rail Fuel System, SCR after-treatment system (BlueTec) |
| Displacement: | 7545cc |
| Bore: | 118mm |
| Stroke: | 115mm |
| Power (ECE R85-00): | 177kW @ 2500 rpm |
| Torque (ECE R85-00): | 745Nm @ 1400 rpm |
| Maximum Engine Speed: | 2900 rpm |
| Compression Ratio: | 16.0:1 |
| Oil Cooler: | Plate Type, Water Cooled |
| Air Cleaner: | Paper Element with Restrictor Indicator Vertical Intake Mounted on Clean Air Side (RH) |



FUEL

| | |
|--------------------------------|--------------------------|
| Injection System: | DENSO Common Rail System |
| Governor: | Electronic |
| Tank Type: | Rectangular Steel |
| Fuel Capacity: | 200 Litres |
| AdBlue Exhaust Fluid Capacity: | 22 Litres |

COOLING

| | |
|------------|------------------------------------|
| Fan: | 540mm dia. 10 Blades |
| Fan Drive: | Thermo Modulated |
| Radiator: | Corrugated Fin with Expansion Tank |

ELECTRICAL

| | |
|----------------------|-----------------------------------|
| Voltage: | 24V Negative Earth |
| Alternator Capacity: | 24V-80 amp |
| Starter Capacity: | 24V-5.0kW |
| Battery Capacity: | 2x12V, 65Ah/5hr |
| Headlamp - Type: | Halogen |
| - Capacity: | Low Beam 2x70W High Beam 2x70W |

CLUTCH

| | |
|-----------------------|------------------------|
| Mitsubishi FUSO C7M38 | |
| Disc Diameter: | 380mm |
| Type: | Single Dry Plate |
| Operation: | Air Assisted Hydraulic |

TRANSMISSION

| | |
|---------------------------|-------------------------------|
| Mitsubishi FUSO M070S6-0D | |
| No. of Speeds: | 6 with Air Assisted Gearshift |
| Synchromesh: | 2nd-6th |
| Ratios - 1st: | 6.807 |
| - 2nd: | 4.172 |
| - 3rd: | 2.396 |
| - 4th: | 1.504 |
| - 5th: | 1.000 |
| - 6th: | 0.774 |
| - Rev. | 6.807 |
| PTO Opening: | LH Side |

PROPELLER SHAFT

| | |
|------------------|---------------|
| Type: | P10 |
| Universal Joint: | Needle Roller |

FRONT AXLE

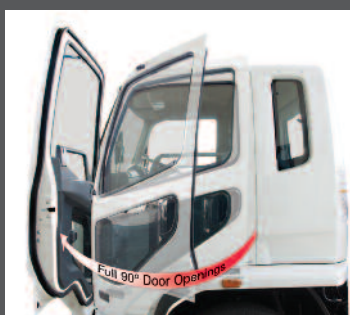
| | |
|-----------------------|-------------------------|
| Mitsubishi FUSO F500T | |
| Type: | Reverse Elliot 'I' Beam |
| Capacity: | 5000kg |

REAR AXLE

| | |
|-----------------------------|----------------------|
| Mitsubishi FUSO R052T/D052H | |
| Type: | Full Floating Hypoid |
| Capacity: | 9500kg |
| Ratio: | 4.875:1 |

STEERING

| | |
|------------------|--------------------------------------|
| Type: | Integral Power Assisted Ball and Nut |
| Ratio: | 18.0~19.8:1 |
| Steering Column: | Tilt/Telescopic Adjustable with Lock |



Full 90 degree door opening for easy access. Passenger door has transom window for improved visibility.



The ISRI air suspended driver's seat provides high levels of comfort and support.



Every Fuso Fighter comes standard with the Fuso Multimedia Unit which includes satellite navigation with truck mapping, digital radio, Bluetooth® radio connectivity, iPod® interface and DVD player.

GVM:
13500kg

GCM:
20000kg

BRAKES

| | |
|------------------|--|
| Type: | Full Air, Dual Circuit, Mitsubishi FUSO Taper Roller, Automatic Brake Adjustment, ABS with ASR (Anti Slip Regulator) |
| Size - Front: | 370x150mm |
| - Rear: | 370x150mm |
| Park Brake: | Rear Wheel Spring Actuated |
| Auxiliary: | Exhaust Brake |
| Compressor: | Water Cooled, 340cc Single Cyl. |
| Air Dryer Model: | DU5 |

FRONT SUSPENSION

| | |
|------------------|------------------------------------|
| Type: | Parabolic Leaf with Stabiliser Bar |
| Size: | 1300x70mm Leaves |
| Shock Absorbers: | Double Acting |

REAR SUSPENSION

| | |
|------------|--|
| Type: | Semi-Elliptic Leaf with Stabiliser Bar |
| Size: | 1300x70mm Leaves |
| Auxiliary: | 900x70mm Leaves |

CHASSIS

| | |
|-------------------|------------------|
| Type: | Parallel Channel |
| Size: | 230x80x8.0mm |
| Width: | 844mm |
| Tensile Strength: | 540Mpa |

WHEELS & TYRES

| | |
|---------------------|----------------------|
| Wheel - Type: | 7, Single Piece Disc |
| - Size: | 19.5x6.75DC-147-13t |
| - Stud Pattern: | 8x285mm PCD |
| Tyre - Size: | 265/70R19.5 140/138M |
| Spare Tyre Carrier: | Provided |

OPTIONAL EQUIPMENT

| | |
|--------------------|---------------------------------|
| R05 (FK62FL only): | Limited Slip Differential (LSD) |
|--------------------|---------------------------------|

MASS (KG - ESTIMATED)*

| Model | Front | Rear | Total |
|--------------|-------|------|-------|
| FK62FLZ1RFAH | 2500 | 1510 | 4010 |

Note: Mass (est.) includes oil and water but excludes spare wheel, tools & fuel
* Weights provided are subject to 3.5% variation (+/-)

| MAX. LOADING | | |
|--------------|--------|---------|
| Front | Rear | Total |
| 4500kg | 9200kg | 13500kg |

INSTRUMENTS

| | |
|----------------------------|--|
| Gauges: | Speedometer with Odometer Tachometer Air Pressure (2) Fuel Level Water Temperature |
| Colour Information Display | Fuel Consumption Service Indicators Hour Meter and Tripmeter |
| Warning Lamps: | ABS Turn Signal High Beam Exhaust Brake Oil Level Ad Blue Low Fuel Low Park Brake Alternator Oil Filter Blockage Engine Control / Cruise Control (ECU) Air Filter Restriction Fuel Filter Water Contamination Door Opening Cab Tilt Lock |
| Warning Lamp/Buzzer: | Air Pressure Oil Pressure Engine Overheat / Low Coolant Level |

CAB FEATURES

| | |
|---------------------------|---|
| All Steel Forward Control | |
| Type: | Manual Tilt 44 deg. |
| Mounting: | Hydroelastic Susp. 4 Point |
| Colour: | Natural White |
| Interior: | Fully Trimmed |
| Windscreen: | Laminated Tinted |
| Windscreen Wipers: | 2 Speed + Intermittent Cycle with Integrated Washer Nozzles |
| Door: | 90 degree Opening Angle |
| Steering Column: | Telescopic & Tilt |
| Rear Vision Mirrors | Remote / Heated with Convex Spotter (Both Sides) |
| Seating Capacity: | 3 |
| Seat Belts: | 2 ELR Lap Sash, 1 Lap |
| Seats - Driver: | ISRI Air Suspension with Height, Tilt and Dampening Adjustment Integral Headrest and Fabric Trim Low Back with Fabric Trim Forward Folding Fixed Base Reclining Integral Headrest and Fabric Trim |
| - Centre: | |
| - LH: | |

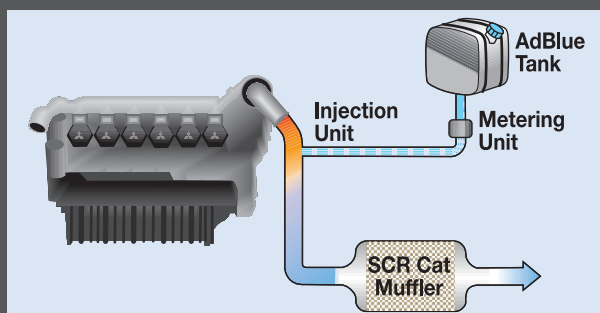
MULTI-MEDIA PACKAGE

| | |
|------------------------------|---|
| Satellite Navigation: | Maps with heavy vehicle weight, length, height & hazardous material selectable restrictions with 3 years of Map updates |
| Colour Display: | 6.1 inch LCD with touch screen control |
| Phone Connectivity: | Bluetooth® hands free |
| Audio Visual Entertainment: | CD/DVD player and Digital radio DAB+ (also AM/FM for areas not covered by DAB+) USB port for iPod®* & other devices |
| Reversing Camera Compatible: | Display can accept up to 3 cameras# |

* iPod® compatibility requires an additional licenced cable
Cameras available through spare parts



The new dash has a colour display that shows important information such as average and current fuel consumption.



SCR is a simple system that allows the engine to be tuned for optimal combustion and injects AdBlue into the exhaust to reduce emissions.

SPECIFICATIONS

STANDARD FEATURES

Driving

Driver's Air Bag and Seat Belt Pre-tensioners
Hill Start System
ASR (Traction Control)
Keyless Central Locking
Electric Windows
Cruise Control
LH Transom Window
24V Accessory Power Outlet / Cigar Lighter
Air Conditioner / Heater / Demister
Fuso Multimedia Unit
Cup Holders (4)
Rear Quarter Glass
Fluorescent Cabin Lamp and Interior Reading Lamps
Engine Idle Speed Control

Storage

Centre Seat Storage Console
LH Seat Storage Tray
Rear Bunk Storage Pocket
Dash Storage Tray 2 DIN Glove Compartment
1 Single & 1 Double DIN Slot for Accessories
Overhead Storage Pocket with Lid
RH Door Storage Pocket

Cab: External

Roof Mounting Points (max. static load 70kg)
Front End-Outline Marker Lamps

Chassis

Chassis Mounted Tool Box
Reverse Warning Buzzer
Integrated Front Underrun Protection System (FUPS)

Service

30,000km Intervals or 12 Months

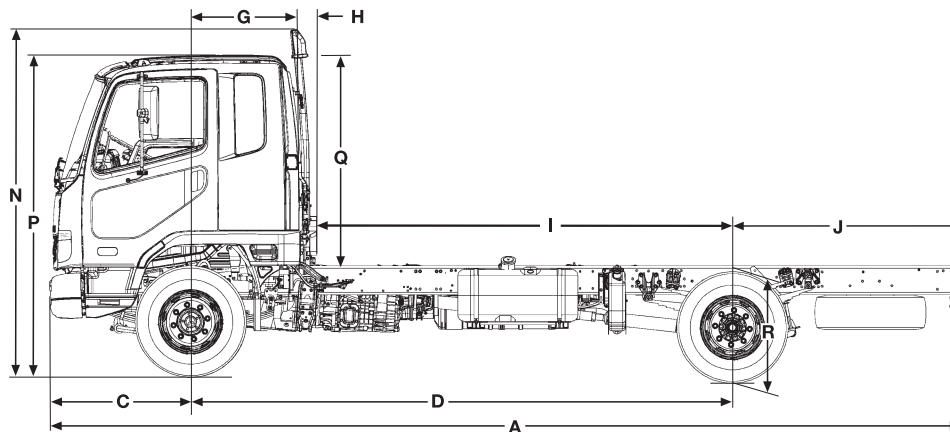
DIMENSIONS (MM)

| Wb = Wheel Base | | L Wb |
|-----------------|---|------|
| Width | Front Fender: | 2170 |
| | Rear Axle: | 2270 |
| | Front Track: | 1780 |
| | Rear Track: | 1710 |
| | Frame: | 844 |
| Length A | Overall: | 8645 |
| | C Front Overhang: | 1135 |
| | D Wheelbase: | 5210 |
| | G Front Axle to Rear of Cab: | 855 |
| | H Rear of Cab to Rear of Engine Cover: | 130 |
| | I Frame, Rear of Engine Cover to Rear Axle: | 4225 |
| Height N | J Frame, Rear Axle to End: | 2300 |
| | Overall: | 2732 |
| | P Cab to Ground: | 2527 |
| | Q Cab to Frame: | 1669 |
| R | Rear Frame to Ground: | 931 |

PERFORMANCE - (CALCULATED-PAVED ROAD)

| | |
|--|-------|
| Electronically Speed Limited to (km/hr): | 100 |
| Engine Speed at 100km/hr (rpm): | 2371 |
| Gradeability* at Rated GVM: | 41% |
| Gradeability* at Rated GCM: | 25% |
| Turning Circle (kerb to kerb): | 18.2m |

* This is Theoretical Performance (it may vary under different conditions).



WARRANTY

3 YEAR & 3 YEAR

Basic/Powertrain

3 Years, 150,000kms or 3,000 operating hours
(whichever comes first)
3 Years Cab Perforation/Anti Corrosion

Note: Chassis reinforcement must be utilised for Tipper/Demountable type body configurations.

To conform with ADR 13/00 and 14/02 (lighting/mirror requirements) the following must be adhered to at body installation.

- If other than a flat type or tipper body is fitted, rear end out-line marker lamps must be installed.
- If overall length exceeds 6.0 metres, side reflectors must be installed.
- If overall length exceeds 7.5 metres, side marker lamps must be installed.
- If overall width is less than 2.4 metres, the mirrors must be modified to project not more than 230mm.

To conform with ADR 42/04 (General Safety), rear wheel guards must be fitted to the vehicle.

Call 1300 426 812 or visit fuso.com.au

