

**FIGHTER**  
**SPECIFICATION**  
**SHEET**

**4X2**

**1627**

**6 SPEED MANUAL**

**FM65/7F..H**



**199KW • 16000KG GVM • 25000 GCM**



**INTEGRATED  
FRONT UNDERRUN  
PROTECTION SYSTEM**

**DRIVER'S AIR BAG  
HILL START ASSIST  
ISRI DRIVER'S SEAT  
30,000KM SERVICE INTERVALS**

# SPECIFICATIONS

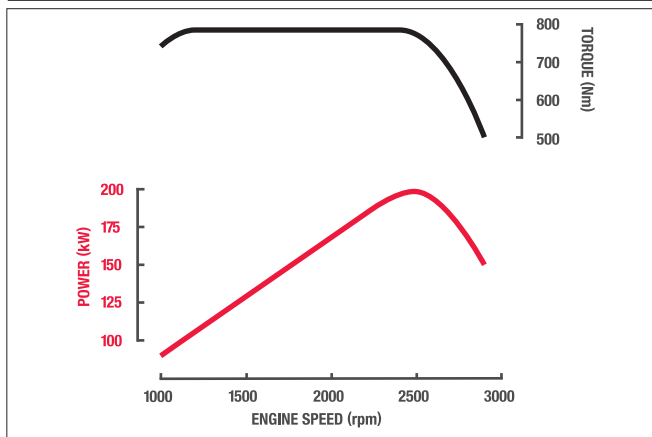
MODEL:  
 FM65FH2RFAH swb  
 FM65FM2RFAH xlwb  
 FM65FS2RFAH xxlwb  
 FM67FS2RFAH xxlwb

WHEEL BASE  
 4280mm  
 5550mm  
 6500mm  
 6500mm

## ENGINE

### Mitsubishi FUSO 6M60-9AT2 Diesel (ADR 80/03-Euro V)

Configuration:	6 Cyl. In-line OHC, 4-Valve
Type:	Turbocharged with Air to Air Intercooler, PCV & Common Rail Fuel System, SCR after-treatment system (BlueTec)
Displacement:	7545cc
Bore:	118mm
Stroke:	115mm
Power (ECE R85-00):	199kW @ 2500 rpm
Torque (ECE R85-00):	784Nm @ 1100-2400 rpm
Maximum Engine Speed:	2900 rpm
Compression Ratio:	16.0:1
Oil Cooler:	Plate Type, Water Cooled
Air Cleaner:	Paper Element with Restrictor Indicator Vertical Intake Mounted on Clean Air Side (RH)



## FUEL

Injection System:	DENSO Common Rail System
Governor:	Electronic
Tank Type:	Rectangular Steel
Fuel Capacity:	300 Litres - FM65FH 200 Litres
AdBlue Exhaust Fluid Capacity:	40 Litres

## COOLING

Fan:	540mm dia. 10 Blades
Fan Drive:	Thermo Modulated
Radiator:	Corrugated Fin with Expansion Tank
Radiator:	Corrugated Fin with Expansion Tank

## ELECTRICAL

Voltage:	24V Negative Earth
Alternator Capacity:	24V-80 amp
Starter Capacity:	24V-5.0kW
Battery Capacity:	2x12V, 65Ah/5hr
Headlamp - Type:	Halogen
- Capacity:	Low Beam 2x70W High Beam 2x70W

## CLUTCH

### Mitsubishi FUSO C7M38

Disc Diameter:	380mm
Type:	Single Dry Plate
Operation:	Air Assisted Hydraulic

## TRANSMISSION

### Mitsubishi FUSO M070S6-DD

No. of Speeds:	6 with Air Assisted Gearshift
Synchromesh:	2nd-6th
Ratios	- 1st: 8.064 - 2nd: 5.443 - 3rd: 3.064 - 4th: 1.824 - 5th: 1.321 - 6th: 1.000 - Rev. 7.354
PTO Opening:	LH Side

## PROPELLER SHAFT

Type:	P10
Universal Joint:	Needle Roller

## FRONT AXLE

### Mitsubishi FUSO F650T

Type:	Reverse Elliot 'I' Beam
Capacity:	6300kg

## REAR AXLE

### Mitsubishi FUSO R060T/D8H

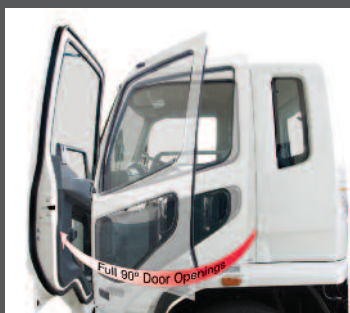
Type:	Full Floating Hypoid
Capacity:	10200kg
Ratio:	- FM65FH 5.142:1 - FM65FM, FM65/7FS 4.444:1

## STEERING

Type:	Integral Power Assisted Ball and Nut
Ratio:	22.4:1
Steering Column:	Tilt/Telescopic Adjustable with Lock

## BRAKES

Type:	Full Air, Dual Circuit, Mitsubishi FUSO Taper Roller, Automatic Brake Adjustment, ABS with ASR (Anti Slip Regulator)
Size	- Front: 410x150mm - Rear: 410x200mm
Park Brake:	Rear Wheel Spring Actuated
Auxiliary:	Exhaust Brake
Compressor:	Water Cooled, 340cc Single Cyl.
Air Dryer Model:	MD4



Full 90 degree door opening for easy access. Passenger door has transom window for improved visibility.



The ISRI air suspended driver's seat provides high levels of comfort and support.



Every Fuso Fighter comes standard with the Fuso Multimedia Unit which includes satellite navigation with truck mapping, digital radio, Bluetooth® radio connectivity, iPod® interface and DVD player.

GVM:  
16000kg  
16000kg  
16000kg  
16000kg

GCM:  
25000kg  
25000kg  
25000kg  
25000kg

Steel Rear Suspension

Air Rear Suspension

## FRONT SUSPENSION

Type:	Parabolic Leaf
Size:	1400x80mm Leaves
Shock Absorbers:	Double Acting

## REAR SUSPENSION (FM65 - STEEL)

Type:	Semi-Elliptic Leaf
Size:	1400x80mm Leaves
Auxiliary:	960x80mm Leaves

## REAR SUSPENSION (FM67 - AIR)

Type:	Trailing Arm with Air Dump Control
RFCN:	RF2043
Air Spring:	2x250mm dia.
Trailing Arm:	(643+390)x80x35mm-2 Leaves
Capacity at Ground:	10000kg total
Shock Absorbers:	Double Acting

## CHASSIS

Type:	Parallel Channel
Size:	280x90x8.0mm
Width:	841mm
Tensile Strength:	540Mpa

## WHEELS & TYRES

Wheel - Type:	7, Single Piece Disc
- Size:	22.5x8.25DC-165-13t
- Stud Pattern:	10x335mm PCD
Tyre - Size:	11R22.5 148/145L
FM65FH	Traction Tread to Rear
FM65FM, FM65/7FS	275/70R22.5 148/145L
Spare Tyre Carrier:	Provided

## MASS (KG - ESTIMATED)\*

Model	Front	Rear	Total
FM65FH2RFAH	2870	1875	4745
FM65FM2RFAH	2955	1910	4865
FM65FS2RFAH	3020	2000	5020
FM67FS2RFAH	3030	1950	4980

Note: Mass (est.) includes oil and water but excludes spare wheel, tools & fuel  
\* Weights provided are subject to 3.5% variation (+/-)

## MULTI-MEDIA PACKAGE

Satellite Navigation:	Maps with heavy vehicle weight, length, height & hazardous material selectable restrictions with 3 years of Map updates
Colour Display:	6.1 inch LCD with touch screen control
Phone Connectivity:	Bluetooth® hands free
Audio Visual Entertainment:	CD/DVD player and Digital radio DAB+ (also AM/FM for areas not covered by DAB+) USB port for iPod®* & other devices
Reversing Camera Compatible:	Display can accept up to 3 cameras#

\* iPod® compatibility requires an additional licenced cable  
# Cameras available through spare parts

## INSTRUMENTS

Gauges:	Speedometer with Odometer Tachometer Air Pressure (2) Fuel Level Water Temperature
Colour Information Display	Fuel Consumption Service Indicators Hour Meter and Tripmeter
Warning Lamps:	ABS ASR Turn Signal High Beam Exhaust Brake Hill Start Assist Oil Level Ad Blue Low Fuel Low Park Brake Alternator Oil Filter Blockage Engine Control / Cruise Control (ECU) Air Filter Restriction Fuel Filter Water Contamination Door Opening Cab Tilt Lock
Warning Lamp/Buzzer:	Air Pressure Oil Pressure Engine Overheat / Low Coolant Level

## CAB FEATURES

All Steel Forward Control	
Type:	Manual Tilt 44 deg.
Mounting:	Hydroelastic Susp. 4 Point
Colour:	Natural White
Interior:	Fully Trimmed
Windscreen:	Laminated Tinted
Windscreen Wipers:	2 Speed + Intermittent Cycle with Integrated Washer Nozzles
Door:	90 degree Opening Angle
Steering Column:	Telescopic & Tilt
Rear Vision Mirrors	Remote / Heated with Convex Spotter (Both Sides)
Seating Capacity:	3
Seat Belts:	2 ELR Lap Sash, 1 Lap
Seats - Driver:	ISRI Air Suspension with Height, Tilt and Dampening Adjustment Integral Headrest and Fabric Trim Forward Folding Fixed Base Reclining Integral Headrest and Fabric Trim
- Centre:	
- LH:	

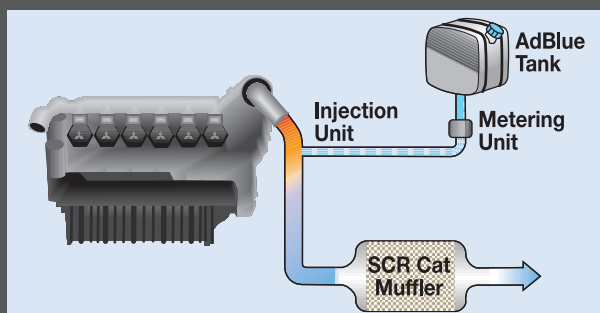
## OPTIONAL EQUIPMENT

R01: (FM65FH Only)	Engine Flywheel PTO Max. Output Torque, 300Nm Drive Ratio, 0.635:1 Rotation, Same as Engine
--------------------	--

MAX. LOADING			
Model	Front	Rear	Total
FM65	6000kg	10000kg	16000kg
FM67	6000kg	10000kg	16000kg



The new dash has a colour display that shows important information such as average and current fuel consumption.



SCR is a simple system that allows the engine to be tuned for optimal combustion and injects AdBlue into the exhaust to reduce emissions.



# SPECIFICATIONS

## STANDARD FEATURES

### Driving

Driver's Air Bag and Seat Belt Pre-tensioners  
Hill Start System  
ASR (Traction Control)  
Keyless Central Locking  
Electric Windows  
Cruise Control  
LH Transom Window  
24V Accessory Power Outlet / Cigar Lighter  
Air Conditioner / Heater / Demister  
Fuso Multimedia Unit  
Cup Holders (4)  
Rear Quarter Glass  
Fluorescent Cabin Lamp and Interior Reading Lamps  
Engine Idle Speed Control

### Storage

Centre Seat Storage Console  
LH Seat Storage Tray  
Rear Bunk Storage Pocket  
Dash Storage Tray 2 DIN Glove Compartment  
1 Single & 1 Double DIN Slot for Accessories  
Overhead Storage Pocket with Lid  
RH Door Storage Pocket

### Cab: External

Roof Mounting Points (max. static load 70kg)  
Front End-Outline Marker Lamps

### Chassis

Chassis Mounted Tool Box  
Reverse Warning Buzzer  
Integrated Front Underrun Protection System (FUPS)

### Service

30,000km Intervals or 12 Months

## DIMENSIONS (MM)

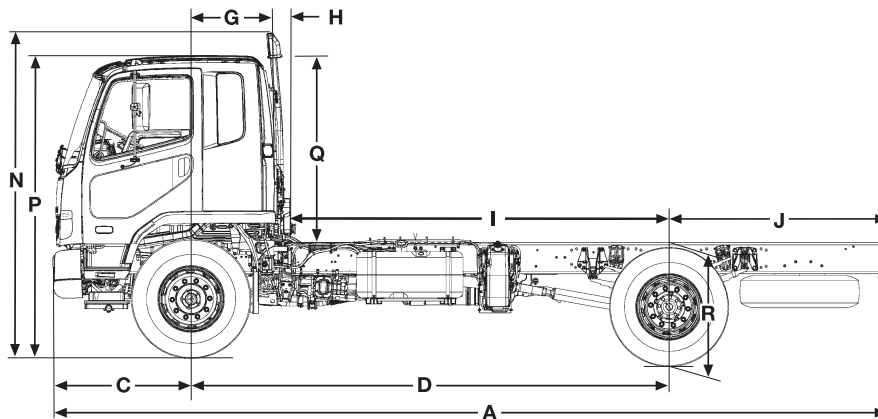
		Wb = Wheel Base				
		H Steel	M Steel	S Steel	S Air	
Width	Front Fender:	2450	2450	2450	2450	
	Rear Axle:	2470	2470	2470	2470	
	Front Track:	1925	1925	1925	1925	
	Rear Track:	1850	1850	1850	1850	
	Frame:	841	841	841	841	
Length	A Overall:	7455	9325	10695	10695	
	C Front Overhang:	1245	1245	1245	1245	
	D Wheelbase:	4280	5550	6500	6500	
	G Front Axle to Rear of Cab:	745	745	745	745	
	H Rear of Cab to Rear of Engine Cover:	130*	130	130	130	
	* 185 with Flywheel PTO					
	I Frame, Rear of Engine Cover to Rear Axle:	3405	4675	5625	5625	
	J Frame, Rear Axle to End:	1930	2530	2950	2950	
Height	N Overall:	2885	2840	2840	2840	
	P Cab to Ground:	2680	2635	2635	2635	
	Q Cab to Frame:	1669	1669	1669	1669	
	R Rear Frame to Ground					
	- FM65:	1075	1033	1032		
	- FM67 Suspension - Inflated:				969	
	- Deflated:				922	

## PERFORMANCE - (CALCULATED-PAVED ROAD)

Electronically Speed Limited to (km/h)	*100	*100	*100	*100
Engine Speed at 100km/hr (rpm)	2700	2555	2555	2555
Gradeability** at Rated GVM:	36%	34%	34%	34%
Gradeability** at Rated GCM:	22%	20%	20%	20%
Turning Circle (kerb to kerb):	14.6m	18.4m	21.4m	21.4m

\* Conforms to ADR65/..

\*\* This is Theoretical Performance (it may vary under different conditions).



## WARRANTY

### 3 YEAR & 3 YEAR

#### Basic/Powertrain

3 Years, 200,000kms or 4,000 operating hours  
(whichever comes first)  
3 Years Cab Perforation/Anti Corrosion

Note: Chassis reinforcement must be utilised for Tipper/Demountable type body configurations.

To conform with ADR 13/00 (lighting requirements) the following must be adhered to at body installation.

- If other than a flat type or tipper body is fitted, rear end out-line marker lamps must be installed.

- If overall length exceeds 6.0 metres, side reflectors must be installed.

- If overall length exceeds 7.5 metres, side marker lamps must be installed.

To conform with ADR 42/04 (General Safety), rear wheel guards must be fitted to the vehicle.

Call 1300 426 812 or visit [fuso.com.au](http://fuso.com.au)

