

FIGHTER
SPECIFICATION
SHEET

6X2
6X4

2427

ALLISON 6 SPEED AUTO

FN62/63/64..J



199KW • 23200KG TO 24000KG GVM • 32000 GCM • STEEL OR AIR SUSPENSION



**INTEGRATED
FRONT UNDERRUN
PROTECTION SYSTEM**

**DRIVER'S AIR BAG
ISRI DRIVER'S SEAT
30,000KM SERVICE INTERVALS**

SPECIFICATIONS

MODEL:

FN63FU2RFAJ	6x2	xxlwb
FN62FK2RFAJ	6x4	swb
FN64FU2RFAJ	6x4	xxlwb

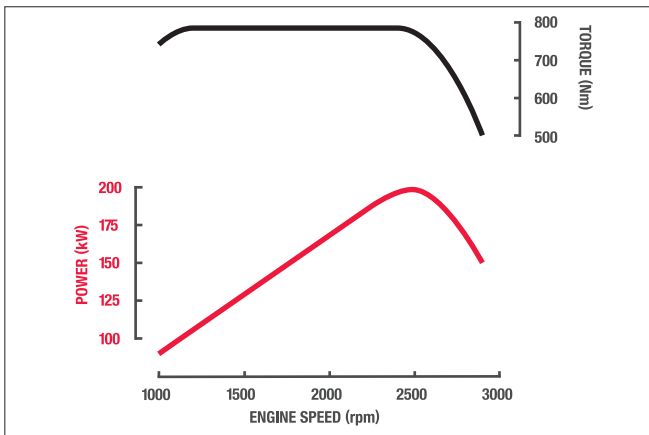
WHEEL BASE

6530mm
4300mm
6530mm

ENGINE

Mitsubishi FUSO 6M60-9AT2 Diesel (ADR 80/03-Euro V)

Configuration:	6 Cyl. In-line OHC, 4-Valve
Type:	Turbocharged with Air to Air Intercooler, PCV & Common Rail Fuel System, SCR after-treatment system (BlueTec)
Displacement:	7545cc
Bore:	118mm
Stroke:	115mm
Power (ECE R85-00):	199kW @ 2500 rpm
Torque (ECE R85-00):	784Nm @ 1100-2400 rpm
Maximum Engine Speed:	2900 rpm
Compression Ratio:	16.0:1
Oil Cooler:	Plate Type, Water Cooled
Air Cleaner:	Paper Element with Restrictor Indicator Vertical Intake Mounted on Clean Air Side (RH)



FUEL

Injection System:	DENSO Common Rail System
Governor:	Electronic
Fuel Tank: - FN62	200 Litres Rectangular Steel
- FN63/64	400 Litres Rectangular Alloy
AdBlue Exhaust Fluid Capacity:	40 Litres

COOLING

Fan:	540mm dia. 10 Blades
Fan Drive:	Thermo Modulated
Radiator:	Corrugated Fin with Expansion Tank

ELECTRICAL

Voltage:	24V Negative Earth
Alternator Capacity:	24V-80 amp
Starter Capacity:	24V-5.0kW
Battery Capacity:	2x12V, 65Ah/5hr
Headlamp - Type:	Halogen
- Capacity:	Low Beam 2x70W High Beam 2x70W

AUTOMATIC TRANSMISSION

Allison MD3500 (Fuso Code M100A6)

No. of Speeds:	6
Control Torque Converter:	TC415/2.35
Ratios - 1st:	4.593
- 2nd:	2.257
- 3rd:	1.535
- 4th:	1.000
- 5th:	0.749
- 6th:	0.651
- Rev.	4.999
PTO Opening:	4 o'clock & 8 o'clock
Fluid Cooling:	2 Chassis Mounted Fluid Coolers (LH & RH Side)

PROPELLER SHAFT

Type: FN63	P140
FN62/64	P140/P8
Universal Joint:	Needle Roller

FRONT AXLE

Mitsubishi FUSO F650T

Type:	Reverse Elliot 'I' Beam
Capacity:	6300kg

REAR AXLE (FN63 6X2)

Mitsubishi FUSO R10T/10D, D10H

Type:	Full Floating Hypoid Drive with Trailing Rear
Capacity:	17200kg
Ratio:	5.857:1

REAR AXLE (FN62/64 6X4)

Mitsubishi FUSO R10TT/10T, D10HT/10H

Type:	Full Floating Hypoid, Tandem Drive with Inter-Axle Diff Lock
Capacity:	21600kg
Ratio: FN62	6.166:1
FN64	5.857:1

STEERING

Type:	Integral Power Assisted Ball and Nut
Ratio:	22.4:1
Steering Column:	Tilt/Telescopic Adjustable with Lock

BRAKES

Type:	Full Air, Dual Circuit, Mitsubishi FUSO Taper Roller, ABS, Automatic Brake Adjustment
Size - Front:	410x150mm
- Rear:	410x200mm
Park Brake:	Rear Wheel Spring Actuated
Auxiliary:	Exhaust Brake
Compressor:	Water Cooled, 340cc Single Cyl.
Air Dryer Model:	MD4



Full 90 degree door opening for easy access. Passenger door has transom window for improved visibility.



The ISRI air suspended driver's seat provides high levels of comfort and support.



Every Fuso Fighter comes standard with the Fuso Multimedia Unit which includes satellite navigation with truck mapping, digital radio, Bluetooth® radio connectivity, iPod® interface and DVD player.

GVM:
23200kg
23500kg
24000kg

GCM:
32000kg
32000kg
32000kg

Air Rear Suspension
Steel Rear Suspension
Air Rear Suspension

FRONT SUSPENSION

Type:	Parabolic Leaf
Size:	1400x80mm Leaves
Shock Absorbers:	Double Acting

REAR SUSPENSION (FN62 - STEEL)

Type:	Long Taper Leaf, 6 Rod Trunion
Size:	1320x90mm Leaves

REAR SUSPENSION (FN63/64 - AIR)

Type:	Trailing Arm with Air Dump Control
RFCN:	RF2011
Air Spring:	2x250mm dia. per Axle
Trailing Arm:	(643+390)x80x35mm-2 Leaves
Capacity at Ground:	18000kg total
Shock Absorbers:	Double Acting

CHASSIS

Type:	Reinforced Parallel Channel
Size:	280x90x8.0mm
Width: FN63/64	841mm
FN62	851mm (includes outer frame reinforcement)
Tensile Strength:	540Mpa

WHEELS & TYRES

Wheel - Type:	11, Single Piece Disc
- Size:	22.5x8.25DC-165-13t
- Stud Pattern:	10x335mm PCD
Tyre - Size: FN63/64	275/70R22.5 148/145L
FN62	11R22.5 148/145L
	Traction Tread to Rear
Spare Tyre Carrier:	Provided (FN63/64 Only)

MASS (KG - ESTIMATED)*

Model	Front	Rear	Total
FN62FK2RFAJ	3135	3710	6845
FN63FU2RFAJ	3235	3250	6485
FN64FU2RFAJ	3235	3570	6825

Note: Mass (est.) includes oil and water but excludes spare wheel, tools & fuel
* Weights provided are subject to 3.5% variation (+/-)

MULTI-MEDIA PACKAGE

Satellite Navigation:	Maps with heavy vehicle weight, length, height & hazardous material selectable restrictions with 3 years of Map updates
Colour Display:	6.1 inch LCD with touch screen control
Phone Connectivity:	Bluetooth® hands free
Audio Visual Entertainment:	CD/DVD player and Digital radio DAB+ (also AM/FM for areas not covered by DAB+) USB port for iPod®* & other devices
Reversing Camera Compatible:	Display can accept up to 3 cameras#

* iPod® compatibility requires an additional licenced cable
Cameras available through spare parts



The new dash has a colour display that shows important information such as average and current fuel consumption.

INSTRUMENTS

Gauges:	Speedometer with Odometer Tachometer Air Pressure (2) Fuel Level Water Temperature
Colour Information Display	Fuel Consumption Service Indicators Hour Meter and Tripmeter
Warning Lamps:	ABS Turn Signal High Beam Exhaust Brake Oil Level Ad Blue Low Fuel Low Park Brake Alternator Oil Filter Blockage Differential Lock Engine Control / Cruise Control (ECU) Air Filter Restriction Fuel Filter Water Contamination Door Opening Cab Tilt Lock
Warning Lamp/Buzzer:	Air Pressure Oil Pressure Engine Overheat / Low Coolant Level

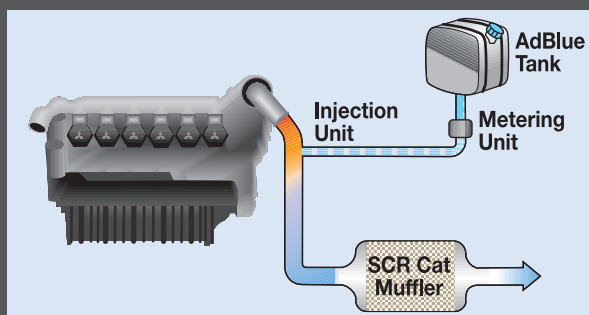
CAB FEATURES

All Steel Forward Control	
Type:	Manual Tilt 44 deg.
Mounting:	Hydroelastic Susp. 4 Point
Colour:	Natural White
Interior:	Fully Trimmed
Windscreen:	Laminated Tinted
Windscreen Wipers:	2 Speed + Intermittent Cycle with Integrated Washer Nozzles
Door:	90 degree Opening Angle
Steering Column:	Telescopic & Tilt
Rear Vision Mirrors	Remote / Heated with Convex Spotter (Both Sides)
Seating Capacity:	3
Seat Belts:	2 ELR Lap Sash, 1 Lap
Seats - Driver:	ISRI Air Suspension with Height, Tilt and Dampening Adjustment Integral Headrest and Fabric Trim Low Back with Fabric Trim Forward Folding Fixed Base Reclining Integral Headrest and Fabric Trim
- Centre:	
- LH:	

OPTIONAL EQUIPMENT

R02: FN63	Limited Slip Differential (LSD) to Drive Axle
FN64	Limited Slip Differential (LSD) to both Rear Axles

MAX. LOADING			
Model	Front	Rear	Total
FN63	6000kg	17200kg	23200kg
FN62	6000kg	21600kg	23500kg
FN64	6000kg	18000kg	24000kg



SCR is a simple system that allows the engine to be tuned for optimal combustion and injects AdBlue into the exhaust to reduce emissions.

SPECIFICATIONS

STANDARD FEATURES

Driving

Driver's Air Bag and Seat Belt Pre-tensioners
Keyless Central Locking
Electric Windows
Cruise Control
LH Transom Window
24V Accessory Power Outlet / Cigar Lighter
Air Conditioner / Heater / Demister
Fuso Multimedia Unit
Cup Holders (4)
Rear Quarter Glass
Fluorescent Cabin Lamp and Interior Reading Lamps
Engine Idle Speed Control

Storage

Centre Seat Storage Console
LH Seat Storage Tray
Rear Bunk Storage Pocket
Dash Storage Tray 2 DIN Glove Compartment
1 Single & 1 Double DIN Slot for Accessories
Overhead Storage Pocket with Lid
RH Door Storage Pocket

Cab: External

Roof Mounting Points (max. static load 70kg)
Front End-Outline Marker Lamps

Chassis

Chassis Mounted Tool Box
Reverse Warning Buzzer
Integrated Front Underrun Protection System (FUPS)

Service

30,000km Intervals or 12 Months

DIMENSIONS (MM)

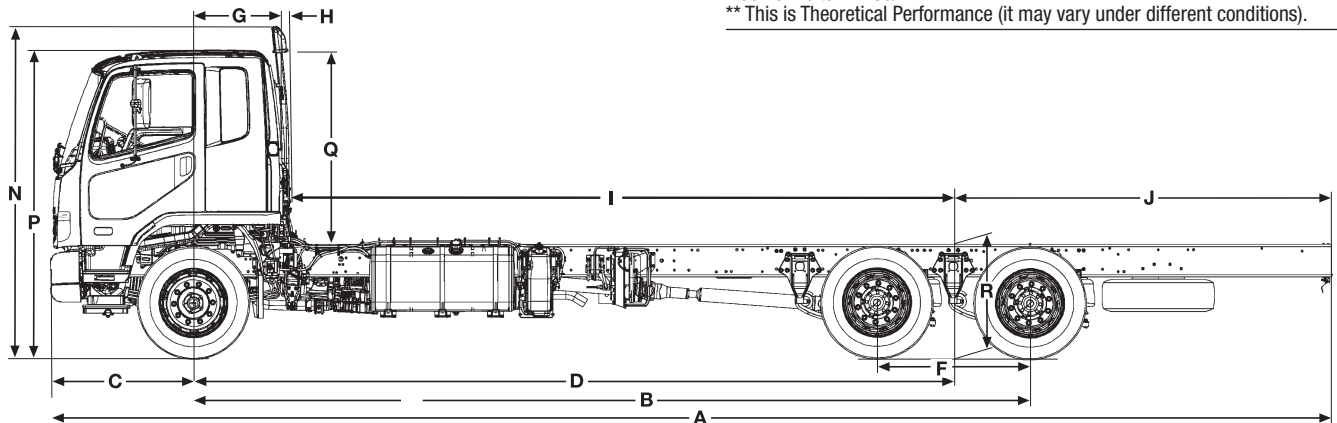
		U Wb	K Wb	U Wb	
		6x2	6x4	6x4	
Width	Front Fender:	2450	2450	2450	
	Rear Axle:	2470	2470	2470	
	Front Track:	1925	1925	1925	
	Rear Track:	1850	1850	1850	
	Frame:	841	851	841	
	Length A Overall:	B Extreme Axle Spacing	7190	4960	7190
C Front Overhang:		1245	1245	1245	
D Wheelbase:		6530	4300	6530	
F Rear Axle Spacing:		1320	1320	1320	
G Front Axle to Rear of Cab:		745	745	745	
H Rear of Cab to Rear of Engine Cover:		130	130	130	
I Frame, Rear of Engine Cover to Rear Axle:		5655	3425	5655	
J Frame, Rear Axle to End:		3255	1970	3255	
Height N Overall:		P Cab to Ground:	2630	2680	2630
		Q Cab to Frame:	1669	1663	1669
	R Rear Frame to Ground:				
	- FN62:		1037		
	- FN63/4 Suspension - Inflated:	967		967	
	- Deflated:	913		913	

PERFORMANCE - (CALCULATED-PAVED ROAD)

	*100	*100	*100
Electronically Speed Limited to (km/h)			
Engine Speed at 100km/hr (rpm)	2189	2104	2189
Gradeability** at Rated GVM:	40%	36%	37%
Gradeability** at Rated GCM:	27%	26%	27%
Turning Circle (kerb to kerb):	22.0m	15.6m	21.8m

* Conforms to ADR65/..

** This is Theoretical Performance (it may vary under different conditions).



WARRANTY

3 YEAR & 3 YEAR

Basic/Powertrain

3 Years, 200,000kms or 4,000 operating hours
(whichever comes first)
3 Years Cab Perforation/Anti Corrosion

Note: Chassis reinforcement must be utilised for Tipper/Demountable type body configurations.

To conform with ADR 13/00 (lighting requirements) the following must be adhered to at body installation.

- If other than a flat type or tipper body is fitted, rear end out-line marker lamps must be installed.
- If overall length exceeds 6.0 metres, side reflectors must be installed.
- If overall length exceeds 7.5 metres, side marker lamps must be installed.

To conform with ADR 42/04 (General Safety), rear wheel guards must be fitted to the vehicle.

Call 1300 426 812 or visit fuso.com.au

