

**HEAVY**  
**SPECIFICATION**  
**SHEET**

**8X4**

**FS52**

**LONG WHEELBASE**

**FS52SS**



**400/455HP • 30800KG GVM • 53000 GCM • 5.87m WB • MECH SUSPENSION**



*STANDARD ROOF ILLUSTRATED*

**ENGINE BRAKE**  
**DRIVER'S AIR BAG**  
**ISRI DRIVER'S SEAT**  
**ECE R-29 COMPLIANT CAB**  
**AUTOMATED TRANSMISSION**  
**FLYWHEEL PTO OPTION AVAILABLE**  
**OPTIONAL ALLOY WHEELS & HIGH ROOF**

# SPECIFICATIONS

## MODEL:

FS52SS3VFAA	8x4	400hp lwb
FS52SS5VFAA	8x4	455hp lwb
FS52SS5VFAB	8x4	455hp lwb high roof

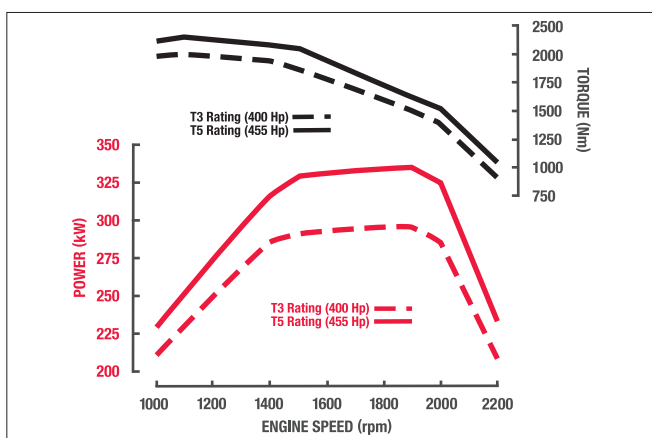
## WHEEL BASE

5870mm
5870mm
5870mm

## ENGINE

### Mitsubishi FUSO OM457 Diesel (ADR 80/03)

Configuration:	6 Cyl. In-line OHV
Type:	Waste-gate Turbocharged with Air to Air Intercooled
Displacement:	12 litre (11967cc)
Bore:	128mm
Stroke:	155mm
Power (DIN): T3 Rating 400Hp	295kW @ 1900 rpm
T5 Rating 455Hp	335kW @ 1900 rpm
Torque (DIN): T3 Rating 400Hp	2000Nm @ 1100 rpm
T5 Rating 455Hp	2200Nm @ 1100 rpm
Maximum Engine Speed:	2100 rpm
Cooling System:	Water Cooled with Viscous Coupling Fan
Air Cleaner:	Paper Element Type with Restrictor Indicator Vertical Intake Mounted on Clean Air Side (RH)
Emission Control:	Selective Catalytic Reduction (SCR)



## FUEL

Injection System:	Unit Pump Injection
Fuel Capacity:	400 Litres Rectangular Steel Tank with Locking Cap Max Fill to approx 96% of Air Capacity
Filtration:	Filter with Water Separator and Dash Indicator
AdBlue Exhaust Fluid Tank Capacity:	Locking Cap Type 40 Litres

## ELECTRICAL

Voltage:	24V Negative Ground
Alternator Capacity:	80 amp
Starter Capacity:	24V-7.0kW
Battery Capacity:	2x12V, 150Ah/20hr
Battery Specification:	2x145G51 (N150)
Headlamp - Type:	Halogen
Fog Light:	Halogen

## CLUTCH

Control:	Automated Manual (no clutch pedal)
Specification:	C12W43P Single Plate 430mm diameter

## TRANSMISSION

### Fuso G230-12 (INOMAT-II)

Type:	12 Speed Automated Manual
Features:	Crawler Mode Skip Shift Function for Light Loads ECO Mode to Minimise Fuel Usage
Ratios:	1 <sup>st</sup> 2 <sup>nd</sup> 3 <sup>rd</sup> 4 <sup>th</sup> 5 <sup>th</sup> 6 <sup>th</sup> 7 <sup>th</sup> 11.672 9.101 7.055 5.501 4.400 3.430 2.652 8 <sup>th</sup> 9 <sup>th</sup> 10 <sup>th</sup> 11 <sup>th</sup> 12 <sup>th</sup> RHigh RLow 2.068 1.603 1.250 1.000 0.779 9.101 11.673 Torque limited to 1775Nm from 1 <sup>st</sup> to 3 <sup>rd</sup> and Reverse LH Side & rear of XMSN
PTO Openings:	

## PROPELLER SHAFT

Type:	Two Main Shafts GW5E2200 Inter-axle Shaft P12
-------	--

## FRONT AXLE

### FUSO F090T

Type:	Reverse Elliot 'I' Beam
Capacity:	7500kg (Each)
Load Sharing:	Yes - Certified

## REAR AXLE

### FUSO R10/D10

Type:	Full Floating Hypoid Type Tandem Drive with Inter-Axle Diff Lock
Capacity:	21600kg*
Ratio:	4.625:1

\*See MAX LOADING for vehicle capacities



The new generation intercooled, turbocharged power plant provides 24% more torque and protects the environment with its SCR Emission Control.



The ISRI air suspended driver's seat provides high levels of comfort and support.



Every Fuso Heavy comes standard with the Fuso Multimedia Unit which includes satellite navigation with truck mapping, digital radio, Bluetooth® radio connectivity, iPod® interface and DVD player.

GVM:  
30800kg  
30800kg  
30800kg

GCM:  
53000kg  
53000kg  
53000kg

## STEERING

Type: Integral Ball and Nut  
Steering Column: Tilt/Telescopic Adjustable

## BRAKES

Type: Full Air, Dual Circuit with FUSO Taper Rollers, ABS plus ASR (Anti Slip Regulator)  
Size - Front: 410x150mm  
- Rear: 410x200mm  
Park Brake: Rear Wheel Spring Actuated  
Engine: Constant Throttle Brake  
4 Levels of Retardation  
Trailer: Hand Control Valve, Air Lines  
Coupling and Electrical Cable

## FRONT SUSPENSION

Type: Long Taper Leaf - Load Sharing  
Size: 1500x90mm Leaves  
Shock Absorbers: Double Acting

## REAR SUSPENSION

Type: Long Leaf Taper, 6 Rod Trunion  
Size: 1320x90 Leaves  
Feature: Excellent Traction

## CHASSIS

Type: Reinforced Parallel Channel  
Size: 300x90x7.0mm  
Width: 840mm  
Tensile Strength: 540Mpa

## WHEELS & TYRES

Wheel - Type: FS52SS3/5FAA 13, Single Piece Steel Disc (Including Spare)  
FS52SS5FAB 13, Single Piece Alloy Disc (Including Spare)  
- Size: 22.5x8.25DC  
- Stud Pattern: 10x335mm PCD  
Tyre - Size Front: 295/80R22.5 152/148  
- Size Rear: 11R22.5 148/145  
- Size Spare: 295/80R22.5 152/148

## OPTIONAL EQUIPMENT

R11: (400Hp Model Only) Flywheel (Live Drive) PTO

## MASS (KG - ESTIMATED)\*

Model	Front	Rear	Total
FS52SS3VFAA	5780	3045	8825
FS52SS5VFAA	5780	3045	8825
FS52SS5VFAB	5885	3060	8945

Note: Mass (est.) includes oil and water but excludes spare wheel, tools & fuel  
\* Weights provided are subject to 3.5% variation (+/-)

MAX. LOADING			
Model	Front	Rear	Total
FS52 All Models	13000kg	21600kg	30800kg

## INSTRUMENTS

Gauges: Speedometer with Odometer  
Tachometer  
Air Pressure (2)  
Fuel Level  
Water Temperature  
AdBlue Level  
Colour Information Display: Fuel Consumption  
Service Indicators  
Hour Meter and Tripmeter  
Oil Level Check  
Warning Lamps: ABS  
ASR  
Turn Signal  
High Beam  
Engine Brake & Shift Down Brake  
Driver's Seat Belt  
Fog Lamp  
All Major System Faults  
Oil Level  
Ad Blue Low  
Alternator  
Differential Lock  
Cruise Control  
Cab Tilt Lock  
Warning Lamp/Buzzer: Air Pressure  
Oil Pressure  
Hill Start  
Park Brake  
Engine Overrun  
Engine Overheat / Low Coolant Level

## CAB FEATURES

Type: All Steel Forward Control Elec / Hyd Tilt Cab:  
Mounting: Air Suspended Front and Rear  
Colour: Natural White  
Windscreen Wipers: 2 Speed + Intermittent Cycle  
with Integrated Washer Nozzles  
Rear Vision Mirrors: 2 x External  
Flat Main Mirrors Plus Convex Spotters  
Motorised Main Mirrors, All Mirrors Heated  
Seating Capacity: 400Hp 3  
455Hp 2  
Seat Belts: Lap Sash Belts for Outside Seating Positions  
Lap Belt for Centre Seat  
Seats - Driver: Suspended (ISRI)  
- Passenger: 400Hp 2 Fixed  
455Hp Single Fixed  
Sleeping: (455Hp Only) ADR42/04 Approved Sleeping Berth  
Cab Strength Approved: ECE-R29 Standard

## MULTI-MEDIA PACKAGE

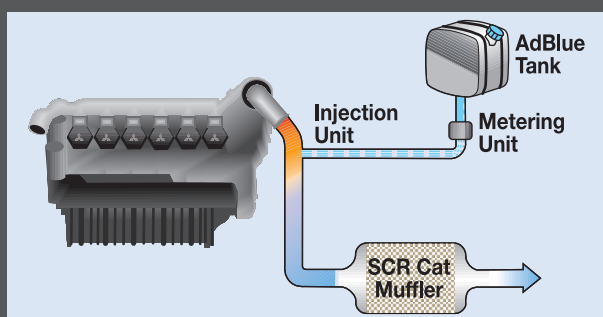
Satellite Navigation: Maps with heavy vehicle weight, length, height & hazardous material selectable restrictions with 3 years of Map updates  
Colour Display: 6.1 inch LCD with touch screen control  
Phone Connectivity: Bluetooth® hands free  
Audio Visual Entertainment: CD/DVD player  
Digital radio DAB+ (also AM/FM for areas not covered by DAB+)  
USB port for iPod®\* & other devices  
Reversing Camera Compatible: Display can accept up to 3 cameras#

\* iPod® compatibility requires an additional licenced cable

# Cameras available through spare parts



The Fuso driver environment features easy to read comprehensive instruments and a colour display with additional information such as fuel economy. Creature comforts, like climate control, are standard.



SCR is a simple system that allows the engine to be tuned for optimal combustion and injects AdBlue into the exhaust to reduce emissions.

# SPECIFICATIONS

## STANDARD FEATURES

### Driving

Driver's Air Bag and Seat Belt Pre-tensioners  
Suspended Driver's Seat  
Hill Start System  
Central Locking  
Electric Windows  
Cruise Control (range 40 to 100km/h)  
LH Transom Window  
24V Accessory Power Outlet / Cigar Lighter  
Climate Control  
Opening Rear Quarter Glass  
Fuso Multimedia Unit  
Cup Holder  
Fluorescent Cabin Lamp  
Trailer Package including Trailer "Stretch Brake"

### Storage

Centre Storage Console  
Dash Storage Tray 2 DIN  
Dual Overhead Storage  
Coat Hooks  
High Roof Model includes Additional Overhead Storage

### Cab: External

Fog Lights  
Door Side Impact Beams  
Roof Mounting Points (max. static load 70kg)  
Front End-Outline Marker Lamps  
Dual Air Horns

### Chassis

Integrated Front Underrun System (FUPS)  
Reverse Warning Buzzer  
Clear Top of Chassis Rail for ease of Body Fitment

## DIMENSIONS (MM)

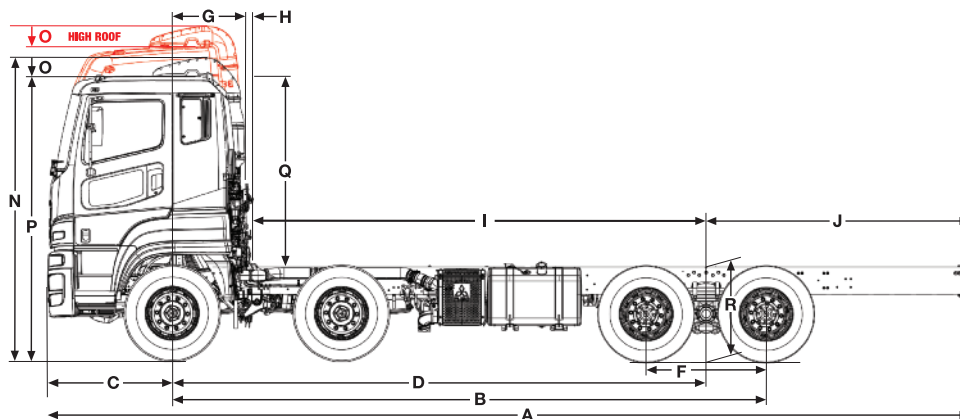
Wb = Wheel Base

		FS Standard Roof	FS High Roof
Width	Front Fender:	2490	2490
	Rear Axle:	2485	2485
	Front Track:	2055	2075
	Rear Track:	1850	1865
	Frame:	840	840
Length	A Overall:	10140	10140
	B Extreme Axle Spacing:	6530	6530
	C Front Overhang:	1370	1370
	D Wheelbase:	5870	5870
	F Rear Axle Spacing	1320	1320
	G Front Axle to Rear of Cab:	700	700
Height	H Rear of Cab to Trailer Valve	183	183
	I Frame, Trailer Valve to Rear Axle	4987	4987
	J Frame, Rear Axle to End:	2900	2900
	N Overall:	3329	3654
	O Air Intake to cab Roof	205	225
	P Cab to Ground:	3124	3429
Q Cab to Frame:	2090	2420	
R Rear Frame to Ground:	1058	1058	
Turning Circle (kerb to kerb):		21.6m	21.6m

## PERFORMANCE - (CALCULATED-PAVED ROAD)

Electronically Speed Limited to (km/h)	100
Engine Speed at 100km/hr (rpm)	1891
Gradeability** at Rated GCM:	
400Hp	23%
455Hp	30%

\*\* This is Theoretical Performance (it may vary under different conditions).



## WARRANTY

### 3 YEAR & 3 YEAR

#### Basic/Powertrain

3 Years, 200,000kms or 4,000 operating hours  
(whichever comes first)  
3 Years Cab Perforation/Anti Corrosion

Note: Chassis reinforcement must be utilised for Tipper/Demountable type body configurations.  
To conform with ADR 13/00 (lighting requirements) the following must be adhered to at body installation.  
- If other than a flat type or tipper body is fitted, rear end out-line marker lamps must be installed.  
- If overall length exceeds 6.0 metres, side reflectors must be installed.  
- If overall length exceeds 7.5 metres, side marker lamps must be installed.  
To conform with ADR 42/04 (General Safety), rear wheel guards must be fitted to the vehicle.

Call 1300 426 812 or visit [fuso.com.au](http://fuso.com.au)

