

**HEAVY
SPECIFICATION
SHEET**

6X4

FV51

MEDIUM WHEELBASE

FV51SK



**360/400/455HP • 25400KG GVM • 50000/53000 GCM • 4.3m WB
MECH SUSPENSION**



**ENGINE BRAKE
DRIVER'S AIR BAG
ISRI DRIVER'S SEAT
ECE R-29 COMPLIANT CAB
AUTOMATED OR MANUAL TRANSMISSION
LIMITED SLIP DIFF OPTION FOR HIGH HP**

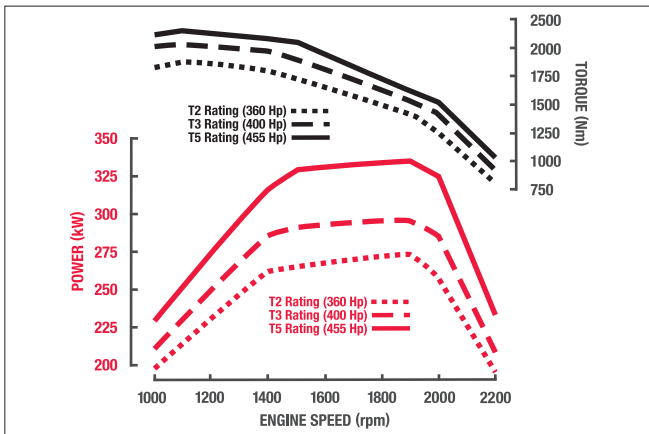
SPECIFICATIONS

MODEL:			WHEEL BASE
FV51SK2FAA	6x4	360hp mwb manual	4300mm
FV51SK2VFAA	6x4	360hp mwb automated	4300mm
FV51SK3VFAA	6x4	400hp mwb automated	4300mm
FV51SK5VFAA	6x4	455hp mwb automated	4300mm

ENGINE

Mitsubishi FUSO OM457 Diesel (ADR 80/03)

Configuration:	6 Cyl. In-line OHV
Type:	Waste-gate Turbocharged with Air to Air Intercooled
Displacement:	12 litre (11967cc)
Bore:	128mm
Stroke:	155mm
Power (DIN):	T2 Rating 360Hp 265kW @ 1900 rpm T3 Rating 400Hp 295kW @ 1900 rpm T5 Rating 455Hp 335kW @ 1900 rpm
Torque (DIN):	T2 Rating 360Hp 1850Nm @ 1100 rpm T3 Rating 400Hp 2000Nm @ 1100 rpm T5 Rating 455Hp 2200Nm @ 1100 rpm
Maximum Engine Speed:	2100 rpm
Cooling System:	Water Cooled with Viscous Coupling Fan
Air Cleaner:	Paper Element Type with Restrictor Indicator Vertical Intake Mounted on Clean Air Side (RH)
Emission Control:	Selective Catalytic Reduction (SCR)



FUEL

Injection System:	Unit Pump Injection
Fuel Capacity:	400 Litres Rectangular Alloy Tank with Locking Cap Max Fill to approx 96% of Air Capacity
Filtration:	Filter with Water Separator and Dash Indicator
AdBlue Exhaust Fluid Tank Capacity:	Locking Cap Type 40 Litres

ELECTRICAL

Voltage:	24V Negative Ground
Alternator Capacity:	80 amp
Starter Capacity:	24V-7.0kW
Battery Capacity:	2x12V, 150Ah/20hr
Battery Specification:	2x145G51 (N150)
Headlamp - Type:	Halogen
Fog Light:	Halogen

CLUTCH (AUTOMATED)

Control:	Automated Manual (no clutch pedal)
Specification:	C12W43P Single Plate 430mm diameter

CLUTCH (MANUAL)

Operation:	Air Assisted Hydraulic
Specification:	C14W40P Twin Dry Plate 400mm diameter

TRANSMISSION (AUTOMATED)

Fuso G230-12 (INOMAT-II)	
Type:	12 Speed Automated Manual
Features:	Crawler Mode Skip Shift Function for Light Loads ECO Mode to Minimise Fuel Usage
Ratios:	1 st 11.672 2 nd 9.101 3 rd 7.055 4 th 5.501 5 th 4.400 6 th 3.430 7 th 2.652 8 th 2.068 9 th 1.603 10 th 1.250 11 th 1.000 12 th 0.779 R High 9.101 R Low 11.673 Torque limited to 1775Nm from 1 st to 3 rd and Reverse LH Side and Rear of XMSM
PTO Openings:	

TRANSMISSION (MANUAL)

Eaton RTLO-14913	
Type:	13 Speed Constant Mesh Manual
Features:	Counter-shaft Brake Oil Cooler
Ratios:	1 st 12.310 2 nd 8.640 3 rd 6.110 4 th 4.430 5 th 3.230 6 th 2.290 7 th 1.950 8 th 1.620 9 th 1.380 10 th 1.170 11 th 1.000 12 th 0.860 13 th 0.730 R High 3.500 R Low 13.220 PTO Openings: Lower Transmission

PROPELLER SHAFT

Type:	Single Main Shaft GW5E2200 Inter-axle Shaft P12
-------	--

FRONT AXLE

FUSO F090T	
Type:	Reverse Elliot 'I' Beam
Capacity:	7500kg

REAR AXLE

FUSO R10/D10	
Type:	Full Floating Hypoid Type Tandem Drive with Inter-Axle Diff Lock
Capacity:	21600kg*
Ratio: (Automated)	4.625:1
(Manual)	5.142

*See MAX LOADING for vehicle capacities



The new generation intercooled, turbocharged power plant provides 24% more torque and protects the environment with its SCR Emission Control.



The ISRI air suspended driver's seat provides high levels of comfort and support.



Every Fuso Heavy comes standard with the Fuso Multimedia Unit which includes satellite navigation with truck mapping, digital radio, Bluetooth® radio connectivity, iPod® interface and DVD player.

GVM:
25400kg
25400kg
25400kg
25400kg

GCM:
50000kg
50000kg
50000kg
53000kg

STEERING

Type: Integral Ball and Nut
Steering Column: Tilt/Telescopic Adjustable

BRAKES

Type: Full Air, Dual Circuit with FUSO Taper Rollers, ABS plus ASR (Anti Slip Regulator)
Size - Front: 410x150mm
- Rear: 410x200mm
Park Brake: Rear Wheel Spring Actuated
Engine: Constant Throttle Brake
4 Levels of Retardation
Trailer: Hand Control Valve, Air Lines
Coupling and Electrical Cable

FRONT SUSPENSION

Type: Long Taper Leaf
Size: 1500x90mm Leaves
Shock Absorbers: Double Acting

REAR SUSPENSION

Type: Long Leaf Taper, 6 Rod Trunion
Size: 1320x90 Leaves
Feature: Excellent Traction

CHASSIS

Type: Reinforced Parallel Channel
Size: 300x90x7.0mm
Width: 840mm
Tensile Strength: 540Mpa

WHEELS & TYRES

Wheel - Type: 11, Single Piece Steel Disc (Including Spare)
- Size: 22.5x8.25DC
- Stud Pattern: 10x335mm PCD
Tyre - Size Front: 295/80R22.5 152/148
- Size Rear: 11R22.5 148/145
- Size Spare: 295/80R22.5 152/148

OPTIONAL EQUIPMENT

R02: (455Hp Model Only) Limited Slip Differential (LSD) for Both Diffs
R11: (360Hp Models Only) Flywheel (Live Drive) PTO

MASS (KG - ESTIMATED)*

Model	Front	Rear	Total
FV51SK2FAA	4505	3505	8010
FV51SK2VFAA	4365	3470	7835
FV51SK3VFAA	4365	3470	7835
FV51SK5VFAA	4365	3470	7835

Note: Mass (est.) includes oil and water but excludes spare wheel, tools & fuel
*Weights provided are subject to 3.5% variation (+/-)

MAX. LOADING			
Model	Front	Rear	Total
FV51 All Models	6500kg	21600kg	25400kg

INSTRUMENTS

Gauges: Speedometer with Odometer
Tachometer
Air Pressure (2)
Fuel Level
Water Temperature
AdBlue Level
Colour Information Display: Fuel Consumption
Service Indicators
Hour Meter and Tripmeter
Oil Level Check
Warning Lamps: ABS
ASR
Turn Signal
High Beam
Engine Brake & Shift Down Brake
Driver's Seat Belt
Fog Lamp
All Major System Faults
Oil Level
Ad Blue Low
Alternator
Differential Lock
Cruise Control
Cab Tilt Lock
Warning Lamp/Buzzer: Air Pressure
Oil Pressure
Hill Start
Park Brake
Engine Overrun
Engine Overheat / Low Coolant Level

CAB FEATURES

Type: All Steel Forward Control Elec / Hyd Tilt Cab:
Mounting: Air Suspended Front and Rear
Colour: Natural White
Windscreen Wipers: 2 Speed + Intermittent Cycle
with Integrated Washer Nozzles
Rear Vision Mirrors: 2 x External
Flat Main Mirrors Plus Convex Spotters
Motorised Main Mirrors, All Mirrors Heated
Seating Capacity: 360/400Hp 3
455Hp 2
Seat Belts: Lap Sash Belts for Outside Seating Positions
Lap Belt for Centre Seat
Seats - Driver: Suspended (ISRI)
- Passenger: 360/400Hp 2 Fixed
455Hp Single Fixed
Sleeping: (455Hp Only) ADR42/04 Approved Sleeping Berth
Cab Strength Approved: ECE-R29 Standard

MULTI-MEDIA PACKAGE

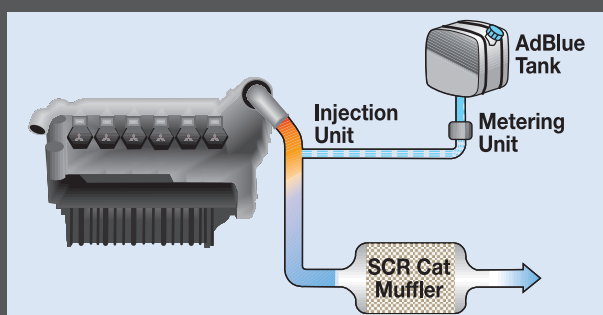
Satellite Navigation: Maps with heavy vehicle weight, length, height & hazardous material selectable restrictions with 3 years of Map updates
Colour Display: 6.1 inch LCD with touch screen control
Phone Connectivity: Bluetooth® hands free
Audio Visual Entertainment: CD/DVD player
Digital radio DAB+ (also AM/FM for areas not covered by DAB+)
USB port for iPod®* & other devices
Reversing Camera Compatible: Display can accept up to 3 cameras#

* iPod® compatibility requires an additional licenced cable

Cameras available through spare parts



The Fuso driver environment features easy to read comprehensive instruments and a colour display with additional information such as fuel economy. Creature comforts, like climate control, are standard.



SCR is a simple system that allows the engine to be tuned for optimal combustion and injects AdBlue into the exhaust to reduce emissions.

SPECIFICATIONS

STANDARD FEATURES

Driving

Driver's Air Bag and Seat Belt Pre-tensioners
Suspended Driver's Seat
Hill Start System (automated models)
Central Locking
Electric Windows
Cruise Control (range 40 to 100km/h)
LH Transom Window
Opening Rear Quarter Glass
24V Accessory Power Outlet / Cigar Lighter
Climate Control
Fuso Multimedia Unit
Cup Holder
Fluorescent Cabin Lamp
Trailer Package including Trailer "Stretch Brake"

Storage

Centre Storage Console
Dash Storage Tray 2 DIN
Dual Overhead Storage

Coat Hooks

Cab: External

Fog Lights
Door Side Impact Beams
Roof Mounting Points (max. static load 70kg)
Front End-Outline Marker Lamps
Dual Air Horns

Chassis

Integrated Front Underrun System (FUPS)
Reverse Warning Buzzer
Clear Top of Chassis Rail for ease of Body Fitment

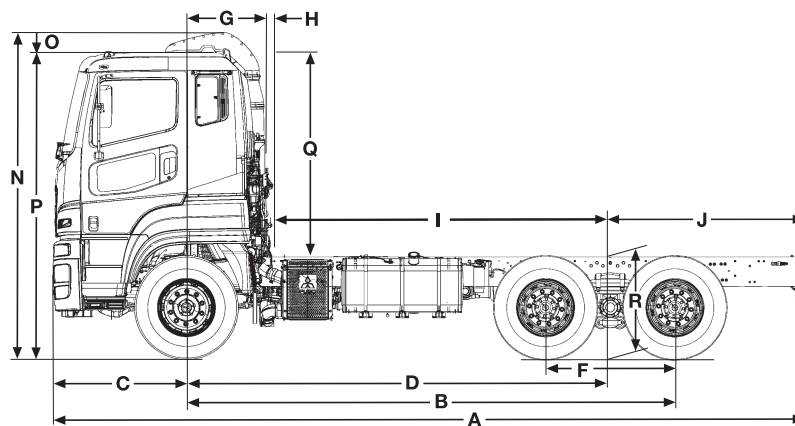
DIMENSIONS (MM)

Wb = Wheel Base		All	FV51
Width	Front Fender:		2490
	Rear Axle:		2470
Length A Overall:	Front Track:		2055
	Rear Track:		1850
	Frame:		840
	Overall:		7640
Height N Overall:	B Extreme Axle Spacing:		4960
	C Front Overhang:		1370
	D Wheelbase:		4300
	F Rear Axle Spacing:		1320
	G Front Axle to Rear of Cab:		700
	H Rear of Cab to Trailer Valve:		183
	I Frame, Trailer Valve to Rear Axle:		3417
	J Frame, Rear Axle to End:		1970
Turning Circle (kerb to kerb):	O Air Intake to cab Roof:		205
	P Cab to Ground:		3098
	Q Cab to Frame:		2090
	R Rear Frame to Ground:		1058

PERFORMANCE - (CALCULATED-PAVED ROAD)

Electronically Speed Limited to (km/h)		100
Engine Speed at 100km/hr (rpm) (Automated Models)		1891
(Eaton Manual Model)		1970
Gradeability** at Rated GCM:		
360Hp (Automated Models)		24%
360Hp (Eaton Manual Model)		40%
400Hp		24%
455Hp		30%

** This is Theoretical Performance (it may vary under different conditions).



WARRANTY

3 YEAR & 3 YEAR

Basic/Powertrain

3 Years, 200,000kms or 4,000 operating hours
(whichever comes first)
3 Years Cab Perforation/Anti Corrosion

Note: Chassis reinforcement must be utilised for Tipper/Demountable type body configurations.
To conform with ADR 13/00 (lighting requirements) the following must be adhered to at body installation.
- If other than a flat type or tipper body is fitted, rear end out-line marker lamps must be installed.
- If overall length exceeds 6.0 metres, side reflectors must be installed.
- If overall length exceeds 7.5 metres, side marker lamps must be installed.
To conform with ADR 42/04 (General Safety), rear wheel guards must be fitted to the vehicle.

Call 1300 426 812 or visit fuso.com.au

