

**HEAVY
SPECIFICATION
SHEET**

6X4

FV54

PRIME MOVER

FV54JR



455HP • 24000kg GVM • 60000 GCM • 3.86m WB • AIR SUSPENSION



HIGH ROOF ILLUSTRATED

**ENGINE BRAKE
B DOUBLE RATED
DRIVER'S AIR BAG
ISRI DRIVER'S SEAT
ECE R-29 COMPLIANT CAB
ADR APPROVED SLEEPER CAB
OPTIONAL LIMITED SLIP DIFF
OPTIONAL ALLOY WHEELS & HIGH ROOF**



SPECIFICATIONS

MODEL:

FV54SJR5VFAA 6x4

standard roof

FV54SJR5VFAB 6x4

high roof, alloy wheels

WHEEL BASE

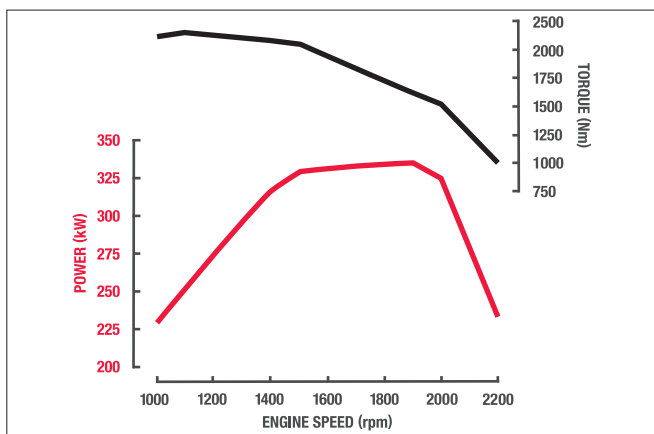
3860mm

3860mm

ENGINE

Mitsubishi FUSO OM457-T5 Diesel (ADR 80/03)

Configuration:	6 Cyl. In-line OHV
Type:	Waste-gate Turbocharged with Air to Air Intercooled
Displacement:	12 litre (11967cc)
Bore:	128mm
Stroke:	155mm
Power (DIN):	335kW @ 1900 rpm
Torque (DIN):	2200Nm @ 1100 rpm
Maximum Engine Speed:	2100 rpm
Cooling System:	Water Cooled with Viscous Coupling Fan
Air Cleaner:	Paper Element Type with Restrictor Indicator Vertical Intake Mounted on Clean Air Side (RH)
Emission Control:	Selective Catalytic Reduction (SCR)



FUEL

Injection System:	Unit Pump Injection
Fuel Capacity:	350 Litres Rectangular Steel Tank with Locking Cap Max Fill to approx 96% of Air Capacity
Filtration:	Filter with Water Separator and Dash Indicator
AdBlue Exhaust Fluid Tank Capacity:	Locking Cap Type 40 Litres

ELECTRICAL

Voltage:	24V Negative Ground
Alternator Capacity:	80 amp
Starter Capacity:	24V-7.0kW
Battery Capacity:	2x12V, 150Ah/20hr
Battery Specification:	2x145G51 (N150)
Headlamp - Type:	Halogen
Fog Light:	Halogen

CLUTCH

Control:	Automated Manual (no clutch pedal)
Specification:	MFZ Twin Plate 400mm diameter

TRANSMISSION

Fuso G330-12 (INOMAT-II)

Type:	12 Speed Automated Manual
Features:	Crawler Mode Skip Shift Function for Light Loads ECO Mode to Minimise Fuel Usage
Ratios:	1 st 2 nd 3 rd 4 th 5 th 6 th 7 th 11.639 9.020 7.035 5.452 4.400 3.410 2.645 8 th 9 th 10 th 11 th 12 th RHigh RLow 2.050 1.599 1.239 1.000 0.775 9900 12.774 Torque limited to 1853Nm from 1 st to 3 rd and Reverse Rear of Transmission
PTO Opening:	

PROPELLER SHAFT

Type:	Single Main Shaft GW5E2200 Inter-axle Shaft P12
-------	--

FRONT AXLE

FUSO F090T

Type:	Reverse Elliot 'I' Beam
Capacity:	7500kg

REAR AXLE

FUSO R12/D12

Type:	Full Floating Hypoid Type Tandem Drive with Inter-Axle Diff Lock
Capacity:	21600kg*
Ratio:	4.625:1

*See MAX LOADING for vehicle capacities

	MAX. LOADING		
Model	Front	Rear	Total
FV54SJR	6500kg	18000kg	24000kg



The new generation intercooled, turbocharged power plant provides 24% more torque and protects the environment with its SCR Emission Control.



The ISRI air suspended driver's seat provides high levels of comfort and support.



Every Fuso Heavy comes standard with the Fuso Multimedia Unit which includes satellite navigation with truck mapping, digital radio, Bluetooth® radio connectivity, iPod® interface and DVD player.

GVM:
24000kg
24000kg

GCM:
60000kg
60000kg } Air Rear Suspension

STEERING

Type: Integral Ball and Nut
Steering Column: Tilt/Telescopic Adjustable

BRAKES

Type: Full Air, Dual Circuit with FUSO Taper Rollers, ABS plus ASR (Anti Slip Regulator)
Size - Front: 410x150mm
- Rear: 410x200mm
Park Brake: Rear Wheel Spring Actuated
Engine: Constant Throttle Brake
4 Levels of Retardation
Trailer: Hand Control Valve, Air Lines
Coupling and Electrical Cable

FRONT SUSPENSION

Type: Long Taper Leaf
Size: 1500x90mm Leaves
Shock Absorbers: Double Acting

REAR SUSPENSION (AIR)

Type: Trailing Arm Air Suspension with Dump Control
Road Friendly Rated: Approval Number RF2011
Air Bags: 2x250mm dia.
Capacity at Ground: 18000kg total*
Shock Absorbers: Double Acting

*See MAX LOADING for vehicle capacities

CHASSIS

Type: Reinforced Parallel Channel
Rear of Chassis Tapered to Suit Tractor
Size: 300x90x7.0mm
Width: 840mm
Tensile Strength: 540Mpa

WHEELS & TYRES

Wheel - Type: FV54SJR5VFAA 11, Single Piece Steel Disc (Including Spare)
FV54SJR5VFAB 11, Single Piece Alloy Disc (Including Spare)
- Size: 22.5x8.25DC
- Stud Pattern: 10x335mm PCD
Tyre - Size Front: 295/80R22.5 152/148
- Size Rear: 11R22.5 148/145
- Size Spare: 295/80R22.5 152/148

OPTIONAL EQUIPMENT

R02: Limited Slip Differential (LSD) for Both Diffs

MASS (KG - ESTIMATED)*

Model	Front	Rear	Total
FV54SJR5VFAA	4415	3285	7700
FV54SJR5VFAB	4450	3265	7715

Note: Mass (est.) includes oil and water but excludes spare wheel, tools & fuel

*Weights provided are subject to 3.5% variation (+/-)

INSTRUMENTS

Gauges: Speedometer with Odometer
Tachometer
Air Pressure (2)
Fuel Level
Water Temperature
AdBlue Level

Colour Information Display: Fuel Consumption
Service Indicators
Hour Meter and Tripmeter
Oil Level Check

Warning Lamps: ABS
ASR
Turn Signal
High Beam
Engine Brake & Shift Down Brake
Driver's Seat Belt
Fog Lamp
All Major System Faults
Oil Level
Ad Blue Low
Air Suspension Low
Alternator
Differential Lock
Cruise Control
Cab Tilt Lock

Warning Lamp/Buzzer: Air Pressure
Oil Pressure
Hill Start
Park Brake
Engine Overrun
Engine Overheat / Low Coolant Level

CAB FEATURES

Type: All Steel Forward Control Elec / Hyd Tilt Cab:

Mounting: Air Suspended Front and Rear

Colour: Natural White

Windscreen Wipers: 2 Speed + Intermittent Cycle
with Integrated Washer Nozzles

Rear Vision Mirrors: 2 x External
Flat Main Mirrors Plus Convex Spotters
Motorised Main Mirrors, All Mirrors Heated

Seating Capacity: 2

Seat Belts: 2 Lap Sash

Seats - Driver: Suspended (ISRI)
- Passenger: High Back Fixed Base

Sleeping: ADR42/04 Approved Sleeping Berth

Cab Strength Approved: ECE-R29 Standard

MULTI-MEDIA PACKAGE

Satellite Navigation: Maps with heavy vehicle weight, length, height
& hazardous material selectable restrictions
with 3 years of Map updates

Colour Display: 6.1 inch LCD with touch screen control

Phone Connectivity: Bluetooth® hands free

Audio Visual Entertainment: CD/DVD player
Digital radio DAB+
(also AM/FM for areas not covered by DAB+)
USB port for iPod®* & other devices

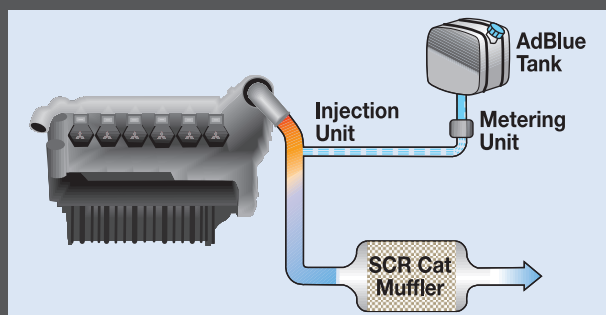
Reversing Camera Compatible: Display can accept up to 3 cameras#

* iPod® compatibility requires an additional licenced cable

Cameras available through spare parts



The Fuso driver environment features easy to read comprehensive instruments and a colour display with additional information such as fuel economy. Creature comforts, like climate control, are standard.



SCR is a simple system that allows the engine to be tuned for optimal combustion and injects AdBlue into the exhaust to reduce emissions.

SPECIFICATIONS

STANDARD FEATURES

Driving

Driver's Air Bag and Seat Belt Pre-tensioners
Suspended Driver's Seat
Hill Start System
Central Locking
Electric Windows
Cruise Control (range 40 to 100km/h)
LH Transom Window
24V Accessory Power Outlet / Cigar Lighter
Climate Control
Opening Rear Quarter Glass
Fuso Multimedia Unit
Cup Holder
Fluorescent Cabin Lamp
Trailer Package including Trailer "Stretch Brake"

Storage

Centre Storage Console
Dash Storage Tray 2 DIN
Dual Overhead Storage
Coat Hooks
High Roof Model includes Additional Overhead Storage

Cab: External

Fog Lights
Door Side Impact Beams
Roof Mounting Points (max. static load 70kg)
Front End-Outline Marker Lamps
Dual Air Horns

Chassis

Integrated Front Underrun System (FUPS)
Reverse Warning Buzzer
Clear Top of Chassis Rail for ease of Body Fitment

DIMENSIONS (MM)

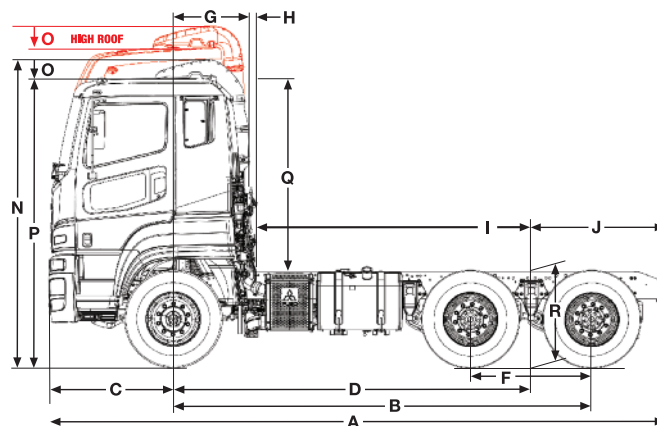
Wb = Wheel Base

		Standard Roof	FV54JR High Roof
Width	Front Fender:	2490	2490
	Rear Axle:	2485	2485
	Front Track:	2055	2075
	Rear Track:	1850	1865
	Frame:	840	840
	Length	A Overall:	6690
B Extreme Axle Spacing:		4520	4520
C Front Overhang:		1370	1370
D Wheelbase:		3860	3860
F Rear Axle Spacing		1320	1320
G Front Axle to Rear of Cab:		700	700
Height	H Rear of Cab to Trailer Valve	183	183
	I Frame, Trailer Valve to Rear Axle	2977	2977
	J Frame, Rear Axle to End:	1460	1460
	N Overall:	3299	3648
	O Air Intake to cab Roof	205	225
	P Cab to Ground:	3094	3423
Q Cab to Frame:		2090	2420
	R Rear Frame to Ground: - Inflated:	1033	1033
	- Deflated:	976	976
Turning Circle (kerb to kerb):		12.8m	13.0m

PERFORMANCE - (CALCULATED-PAVED ROAD)

Electronically Speed Limited to (km/h)	100
Engine Speed at 100km/hr in top gear (rpm)	1882
Gradeability** at Rated GCM:	26%

** This is Theoretical Performance (it may vary under different conditions).



WARRANTY

3 YEAR & 3 YEAR

Basic/Powertrain

3 Years, 200,000kms or 4,000 operating hours
(whichever comes first)
3 Years Cab Perforation/Anti Corrosion

Note: Chassis reinforcement must be utilised for Tipper/Demountable type body configurations.
To conform with ADR 13/00 (lighting requirements) the following must be adhered to at body installation.
- If other than a flat type or tipper body is fitted, rear end out-line marker lamps must be installed.
- If overall length exceeds 6.0 metres, side reflectors must be installed.
- If overall length exceeds 7.5 metres, side marker lamps must be installed.
To conform with ADR 42/04 (General Safety), rear wheel guards must be fitted to the vehicle.

Call 1300 426 812 or visit fuso.com.au

