

**HEAVY  
SPECIFICATION  
SHEET**

**6X4**

**FV54**

**EXTRA-LONG WHEELBASE**

**FV54ST**



**400HP • 24000kg GVM • 50000 GCM • 6.38m WB • AIR SUSPENSION**



**ENGINE BRAKE  
DRIVER'S AIR BAG  
ISRI DRIVER'S SEAT  
ECE R-29 COMPLIANT CAB  
ADR APPROVED SLEEPER CAB  
AUTOMATED TRANSMISSION**

# SPECIFICATIONS

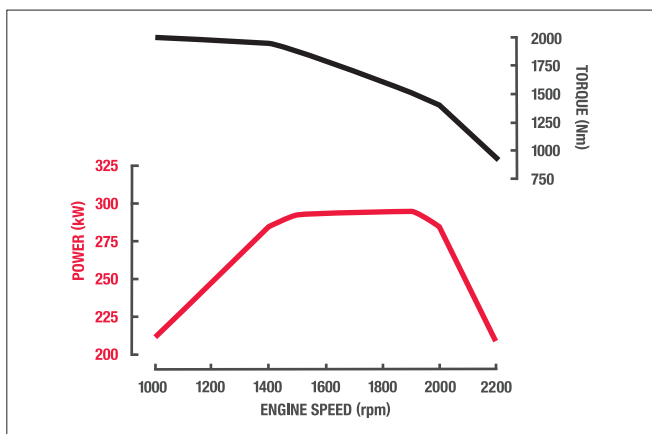
MODEL:  
FV54ST3VFAC 6x4 xlwb

WHEEL BASE  
6380mm

## ENGINE

### Mitsubishi FUSO OM457-T3 Diesel (ADR 80/03)

Configuration:	6 Cyl. In-line OHV
Type:	Waste-gate Turbocharged with Air to Air Intercooled
Displacement:	12 litre (11967cc)
Bore:	128mm
Stroke:	155mm
Power (DIN):	295kW @ 1900 rpm
Torque (DIN):	2000Nm @ 1100 rpm
Maximum Engine Speed:	2100 rpm
Cooling System:	Water Cooled with Viscous Coupling Fan
Air Cleaner:	Paper Element Type with Restrictor Indicator Vertical Intake Mounted on Clean Air Side (RH)
Emission Control:	Selective Catalytic Reduction (SCR)



## FUEL

Injection System:	Unit Pump Injection
Fuel Capacity:	400 Litres Rectangular Alloy Tank with Locking Cap Max Fill to approx 96% of Air Capacity
Filtration:	Filter with Water Separator and Dash Indicator
AdBlue Exhaust Fluid Tank Capacity:	Locking Cap Type 40 Litres

## ELECTRICAL

Voltage:	24V Negative Ground
Alternator Capacity:	80 amp
Starter Capacity:	24V-7.0kW
Battery Capacity:	2x12V, 150Ah/20hr
Battery Specification:	2x145G51 (N150)
Headlamp - Type:	Halogen
Fog Light:	Halogen

## CLUTCH

Control:	Automated Manual (no clutch pedal)
Specification:	C12W43P Single Plate 430mm diameter

## TRANSMISSION

### Fuso G230-12 (INOMAT-II)

Type:	12 Speed Automated Manual
Features:	Crawler Mode Skip Shift Function for Light Loads ECO Mode to Minimise Fuel Usage
Ratios:	1 <sup>st</sup> 2 <sup>nd</sup> 3 <sup>rd</sup> 4 <sup>th</sup> 5 <sup>th</sup> 6 <sup>th</sup> 7 <sup>th</sup> 11.672 9.101 7.055 5.501 4.400 3.430 2.652 8 <sup>th</sup> 9 <sup>th</sup> 10 <sup>th</sup> 11 <sup>th</sup> 12 <sup>th</sup> RHigh RLow 2.068 1.603 1.250 1.000 0.779 9.101 11.673 Torque limited to 1775Nm from 1 <sup>st</sup> to 3 <sup>rd</sup> and Reverse LH Side & Rear XMSN
PTO Openings:	

## PROPELLER SHAFT

Type:	Three Main Shafts GWE2200 Inter-axle Shaft P10
-------	---

## FRONT AXLE

### FUSO F090T

Type:	Reverse Elliot 'I' Beam
Capacity:	7500kg

## REAR AXLE

### FUSO R10/D10

Type:	Full Floating Hypoid Type Tandem Drive with Inter-Axle Diff Lock
Capacity:	21600kg*
Ratio:	4.625:1

\*See MAX LOADING for vehicle capacities



The new generation intercooled, turbocharged power plant provides 24% more torque and protects the environment with its SCR Emission Control.



The ISRI air suspended driver's seat provides high levels of comfort and support.



Every Fuso Heavy comes standard with the Fuso Multimedia Unit which includes satellite navigation with truck mapping, digital radio, Bluetooth® radio connectivity, iPod® interface and DVD player.

GVM:  
24000kg

GCM:  
50000kg

Air Rear Suspension

## STEERING

Type: Integral Ball and Nut  
Steering Column: Tilt/Telescopic Adjustable

## BRAKES

Type: Full Air, Dual Circuit with FUSO Taper Rollers, ABS plus ASR (Anti Slip Regulator)  
Size - Front: 410x150mm  
- Rear: 410x200mm  
Park Brake: Rear Wheel Spring Actuated  
Engine: Constant Throttle Brake  
4 Levels of Retardation  
Trailer: Hand Control Valve, Air Lines  
Coupling and Electrical Cable

## FRONT SUSPENSION

Type: Long Taper Leaf  
Size: 1500x90mm Leaves  
Shock Absorbers: Double Acting

## REAR SUSPENSION (AIR)

Type: Trailing Arm Air Suspension with Dump Control  
Road Friendly Rated: Approval Number RF2011  
Air Bags: 2x250mm dia.  
Capacity at Ground: 18000kg total\*  
Shock Absorbers: Double Acting

\*See MAX LOADING for vehicle capacities

## CHASSIS

Type: Reinforced Parallel Channel  
Size: 300x90x7.0mm  
Width: 840mm  
Tensile Strength: 540Mpa

## WHEELS & TYRES

Wheel - Type: 11, Single Piece Steel Disc (Including Spare)  
- Size: 22.5x8.25DC  
- Stud Pattern: 10x335mm PCD  
Tyre - Size Front: 295/80R22.5 152/148  
- Size Rear: 11R22.5 148/145  
- Size Spare: 295/80R22.5 152/148

## MASS (KG - ESTIMATED)\*

Model	Front	Rear	Total
FV54ST3VFAC	4395	3670	8065

Note: Mass (est.) includes oil and water but excludes spare wheel, tools & fuel  
\*Weights provided are subject to 3.5% variation (+/-)

MAX. LOADING			
Model	Front	Rear	Total
FV54ST	6500kg	18000kg	24000kg

## INSTRUMENTS

Gauges:	Speedometer with Odometer Tachometer Air Pressure (2) Fuel Level Water Temperature AdBlue Level
Colour Information Display	Fuel Consumption Service Indicators Hour Meter and Tripmeter Oil Level Check
Warning Lamps:	ABS ASR Turn Signal High Beam Engine Brake & Shift Down Brake Driver's Seat Belt Fog Lamp All Major System Faults Oil Level Ad Blue Low Air Suspension Low Alternator Differential Lock Cruise Control Cab Tilt Lock
Warning Lamp/Buzzer:	Air Pressure Oil Pressure Hill Start Park Brake Engine Overrun Engine Overheat / Low Coolant Level

## CAB FEATURES

Type:	All Steel Forward Control Elec / Hyd Tilt Cab:
Mounting:	Air Suspended Front and Rear
Colour:	Natural White
Windscreen Wipers:	2 Speed + Intermittent Cycle with Integrated Washer Nozzles
Rear Vision Mirrors:	2 x External Flat Main Mirrors Plus Convex Spotters Motorised Main Mirrors, All Mirrors Heated
Seating Capacity:	2
Seat Belts:	2 Lap Sash
Seats - Driver:	Suspended (ISRI)
- Passenger:	High Back Fixed Base
Sleeping:	ADR42/04 Approved Sleeping Berth
Cab Strength Approved	ECE-R29 Standard

## MULTI-MEDIA PACKAGE

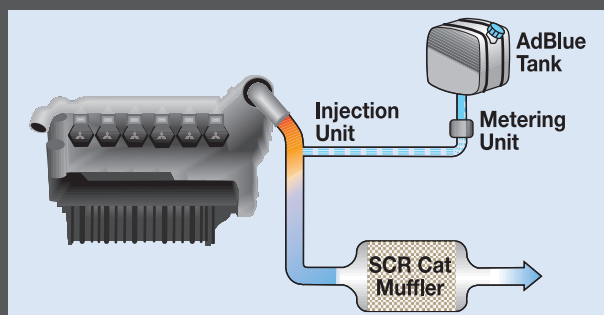
Satellite Navigation:	Maps with heavy vehicle weight, length, height & hazardous material selectable restrictions with 3 years of Map updates
Colour Display:	6.1 inch LCD with touch screen control
Phone Connectivity:	Bluetooth® hands free
Audio Visual Entertainment:	CD/DVD player Digital radio DAB+ (also AM/FM for areas not covered by DAB+) USB port for iPod®* & other devices
Reversing Camera Compatible:	Display can accept up to 3 cameras#

\* iPod® compatibility requires an additional licenced cable

# Cameras available through spare parts



The Fuso driver environment features easy to read comprehensive instruments and a colour display with additional information such as fuel economy. Creature comforts, like climate control, are standard.



SCR is a simple system that allows the engine to be tuned for optimal combustion and injects AdBlue into the exhaust to reduce emissions.

# SPECIFICATIONS

## STANDARD FEATURES

### Driving

Driver's Air Bag and Seat Belt Pre-tensioners  
Suspended Driver's Seat  
Hill Start System  
Central Locking  
Electric Windows  
Cruise Control (range 40 to 100km/h)  
LH Transom Window  
24V Accessory Power Outlet / Cigar Lighter  
Climate Control  
Opening Rear Quarter Glass  
Fuso Multimedia Unit  
Cup Holder  
Fluorescent Cabin Lamp  
Trailer Package including Trailer "Stretch Brake"

### Storage

Centre Storage Console  
Dash Storage Tray 2 DIN  
Dual Overhead Storage  
Coat Hooks  
**Cab: External**  
Fog Lights  
Door Side Impact Beams  
Roof Mounting Points (max. static load 70kg)  
Front End-Outline Marker Lamps  
Dual Air Horns

### Chassis

Integrated Front Underrun System (FUPS)  
Reverse Warning Buzzer  
Clear Top of Chassis Rail for ease of Body Fitment

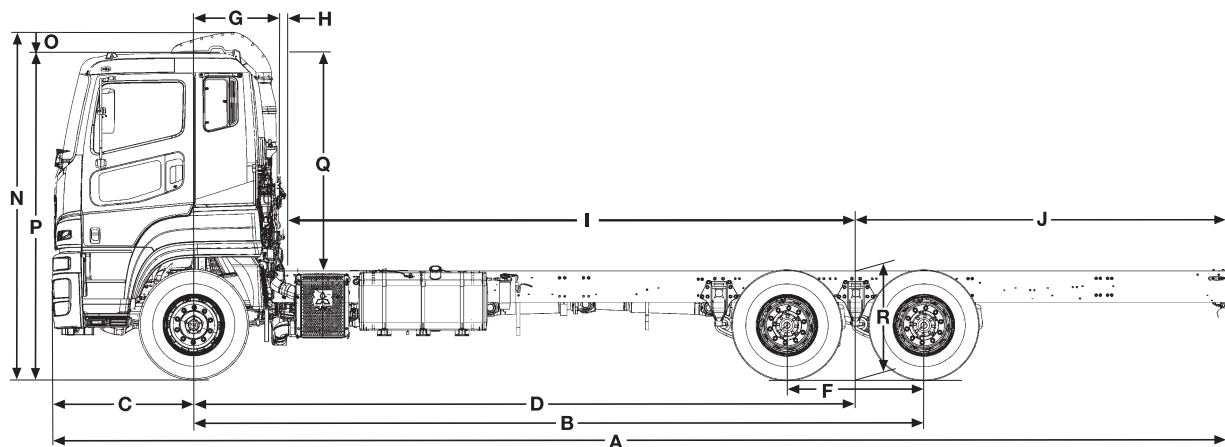
## DIMENSIONS (MM)

Wb = Wheel Base		FV54ST
Width	Front Fender:	2490
	Rear Axle:	2470
Length A Overall:	Front Track:	2055
	Rear Track:	1850
Height N Overall:	Frame:	840
	B Extreme Axle Spacing:	11320
	C Front Overhang:	7040
	D Wheelbase:	1370
	F Rear Axle Spacing:	6380
	G Front Axle to Rear of Cab:	1320
	H Rear of Cab to Trailer Valve:	700
	I Frame, Trailer Valve to Rear Axle:	183
	J Frame, Rear Axle to End:	5497
	K Rear Frame to Ground: - Inflated:	3570
- Deflated:	3301	
O Air Intake to cab Roof:	205	
P Cab to Ground:	3096	
Q Cab to Frame:	2090	
R Rear Frame to Ground: - Inflated:	1033	
- Deflated:	976	
Turning Circle (kerb to kerb):		20.6m

## PERFORMANCE - (CALCULATED-PAVED ROAD)

Electronically Speed Limited to (km/h)	100
Engine Speed at 100km/hr in top gear (rpm)	1891
Gradeability** at Rated GCM:	24%

\*\* This is Theoretical Performance (it may vary under different conditions).



## WARRANTY

### 3 YEAR & 3 YEAR

#### Basic/Powertrain

3 Years, 200,000kms or 4,000 operating hours  
(whichever comes first)  
3 Years Cab Perforation/Anti Corrosion

Note: Chassis reinforcement must be utilised for Tipper/Demountable type body configurations.  
To conform with ADR 13/00 (lighting requirements) the following must be adhered to at body installation.  
- If other than a flat type or tipper body is fitted, rear end out-line marker lamps must be installed.  
- If overall length exceeds 6.0 metres, side reflectors must be installed.  
- If overall length exceeds 7.5 metres, side marker lamps must be installed.  
To conform with ADR 42/04 (General Safety), rear wheel guards must be fitted to the vehicle.

Call 1300 426 812 or visit [fuso.com.au](http://fuso.com.au)

