

# CANTER FG 4X4.

STD. OR CREW / MANUAL HIGH/LOW RANGE

GVM

**6,500KG**

GCM

**10,000KG**

Power/Torque

**110KW/370NM**

Light rigid licence required.  
Can be derated and driven with a passenger car licence.



**5**  
YEAR WARRANTY

CLASS LEADING TARE WEIGHT AND 30,000KM SERVICE INTERVALS.

[fuso.com.au](http://fuso.com.au)

**FUSO**

# SPECIFICATIONS

## MODEL

A	4x4 FG Wide Cab SWB 5 Sp. MAN (FGB71CR6SFAC)
B	4x4 FG Wide Cab MWB 5 Sp. MAN (FGB71ER6SFAC)
C	4x4 FG Wide Crew Cab MWB 5 Sp. MAN (FGB71ER6WFAC)

## WHEEL BASE

2815mm
3415mm
3415mm

## GVM (optional)

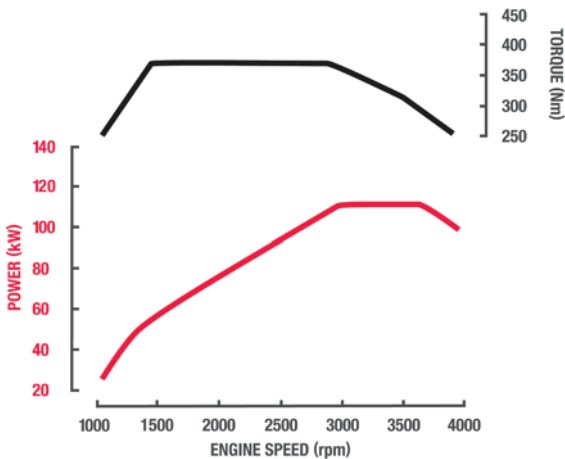
6500kg (4500kg)
6500kg (4500kg)
6500kg (4500kg)

## GCM (optional)

10,000kg (8000kg)
10,000kg (8000kg)
10,000kg (8000kg)

## ENGINE

Engine Version	FUSO 4P10-T4 Diesel	
Configuration	4 Cyl. In-line DOHC, 4-Valve	
Type	Variable Geometry Turbo Charged Air to Air Intercooled	
Displacement	3 litre (2998cc)	
Bore	95.8mm	
Stroke	104mm	
Power (DIN)	110kW @ 2840~3500 rpm	
Torque (DIN)	370Nm @ 1350~2840 rpm	
Maximum Engine Speed	4100 rpm	
Compression Ratio	17.5:1	
Cooling System / Oil Cooler	A B Water cooled, 13.7L capacity/ Plate type engine oil cooler	C Water cooled, 14.8L capacity/ Plate type engine oil cooler
Air Cleaner	Paper Element Type with Restrictor Indicator. Vertical Intake Mounted on Clean Air Side (RH)	
Emission Control	Diesel Particulate Filter (DPF) Exhaust Dash Display DPF Status 0~9 (Empty~Full) Parked Regeneration possible from 7~9	
Emission Level	ADR 80/03 & EEV rated (Enhanced Environmentally-Friendly Vehicle) Euro 5	



## FUEL

Injection System	Bosch Common Rail Direct Injection Bosch Piezo Technology Injectors
Tank Type	Rectangular Steel Tank with Locking Cap
Fuel Capacity *	100 Litres
Filtration	Filter with Water Separator and Indicator Sensor
Notes	*Max Fill to approx 95% of Air Capacity

## COOLING

Fan Drive	Thermo modulated continuous control (Viscous)
Radiator	Corrugated Fin with Expansion Tank

## ELECTRICAL

Voltage	12V Negative Earth
Alternator Capacity	12V-110 amp
Starter Capacity	12V-2.0kW
Battery Capacity	2x12V, 70Ah/5hr
Battery Specification	115D31LX2
Headlamp Type	Halogen
Headlamp Capacity	2x55W/60W

## CLUTCH

Clutch Model	FUSO C4W30
Type	Single Dry Plate, Direct Hydraulic Type

## TRANSMISSION

Version	FUSO M038S5
Type/Speeds	5 Speed with In-Dash Gearshift Lever
Features	Synchromesh 2nd-5th
Ratios	1st: 5.494 2nd: 3.193 3rd: 1.689 4th: 1.000 5th: 0.723 Rev. 5.494
PTO Opening	LH Side

## 4X4 TRANSFER

Model	FUSO TF3
No of Speeds	2
Synchromesh	No
Ratio - Low	1.987
Ratio - High	1.090

## FRONT AXLE

Axle Version	FUSO D1H
Type	Full Floating Hypoid with Constant Velocity Universal Joints
Hubs	Free Wheel, Manual Locking Type
Ratio	5.285:1
Notes	*See MAX LOADING for vehicle capacity.

## FRONT SUSPENSION

Type	Multi-Leaf with Double Acting Shock Absorbers
Size	1150x70mm Leaves

## REAR AXLE

Type	Full Floating Hypoid Type Positive Locking Limited Slip Differential (LSD).
Axle Version	FUSO D035H
Ratio	5.285:1
Notes	See MAX LOADING for vehicle capacity.

## REAR SUSPENSION

Type	Steel Suspension
Details	Multi-Leaf with Double Acting Shock Absorbers
Size Main Leaves	1250x70mm

## MAX LOADING

Front	2800kg
Rear	5760kg
Total	6500kg

## OPTIONS

Options	H31: 4500/8000kg GVM/GCM Rating
	R84: Fire Service delete power pack option - without driver & far passenger airbag, central locking or electrical front windows

## STEERING

Type	Integral Ball and Nut Type
Steering Column	Tilt/Telescopic Adjustable
Power Assist	Standard

## BRAKES

Type	Hydraulic Dual Circuit with Front and Rear Drums
Size Front	320mm Diameter x 75mm Width
Size Rear	320mm Diameter x 110mm Width
Features	Auto Slack Adjusters ABS plus EBD (Electronic Brake Distribution) Exhaust Brake Brake Priority System
Park Brake	Transmission Mounted

# SPECIFICATIONS

## MODEL

<b>A</b>	4x4 FG Wide Cab SWB 5 Sp. MAN (FGB71CR6SFAC)
<b>B</b>	4x4 FG Wide Cab MWB 5 Sp. MAN (FGB71ER6SFAC)
<b>C</b>	4x4 FG Wide Crew Cab MWB 5 Sp. MAN (FGB71ER6WFAC)

## WHEEL BASE

2815mm
3415mm
3415mm

## GVM (optional)

6500kg (4500kg)
6500kg (4500kg)
6500kg (4500kg)

## GCM (optional)

10,000kg (8000kg)
10,000kg (8000kg)
10,000kg (8000kg)

## WHEELS & TYRES

Wheel Type	7 x Disc Rims (Including Spare)
Wheel Size	17.5x6.0-127
Wheel Stud Pattern	6 Stud
Tyre Size All	215/75R17.5 124/123 (tubeless)
	Off-road Tyres Front and Rear (for Extra Traction)
Spare Tyre Carrier	Provided

## CHASSIS

Type	Reinforced Tapered Channel with Drop Shape
Size	192x60x6mm
Width	752mm
Tensile Strength	440 MPa with 540 MPa Stiffeners

## INSTRUMENTS

Gauges	Speedometer with Odometer Tachometer Fuel Level Water Temperature
Colour Information Display	Fuel Consumption DPF Bar Chart from 1~9 Water Temperature Maintenance Reminder System Tripmeters

## MULTI-MEDIA PACKAGE

Satellite Navigation	Maps with heavy vehicle weight, length, height & hazardous material selectable restrictions with 3 years of Map updates
Colour Display	6.1 inch LCD with touch screen control
Phone Connectivity	Bluetooth® hands free
Audio Visual Entertainment	CD/DVD player and Digital radio DAB+ (also AM/FM for areas not covered by DAB+) USB port for iPod®* & other devices
Reversing Camera Compatible	Display can accept up to 3 cameras#
Notes	* iPod® compatibility requires an additional licensed cable # Cameras available through spare parts

## STANDARD FEATURES

Airbag(s)	Dual Air Bags and Seat Belt Pre-Tensioners (Driver & Far Side Passenger)	
Cruise Control	No	
Hill Start System	Yes	
Cab Cooling & Heating	Air Conditioner / Heater / Demister	
Accessory Power	12V Accessory Power Outlet / Cigar Lighter	
Driving	<b>A B</b> Fuso Multimedia Unit Keyless Central Locking Electric Windows Cup Holders (2)	<b>C</b> Fuso Multimedia Unit Keyless Central Locking Electric Windows (front only) Cup Holders (2)
Storage	Dual Overhead Storage Pockets In-Dash Centre Document Storage Door Storage Pockets Dash Storage Tray (1 DIN) Coat Hooks	Lockable Storage under Rear Crew Seats Dual Overhead Storage Pockets In-Dash Centre Document Storage Door Storage Pockets Dash Storage Tray (1 DIN) Coat Hooks
Cab: External	Front End-Outline Marker Lamps Door Side Impact Beams	Front End-Outline Marker Lamps Door Side Impact Beams (front only)
Chassis	Reverse Warning Buzzer	

## CAB FEATURES

Type	<b>A B</b> All Steel Forward Control Manual Tilt	<b>C</b> All Steel Forward Control Fixed
Cab Structure	ECE-R29 European Cab Strength Approved	
Mounting	<b>A B</b> Hydroelastic 4 Point	<b>C</b> 6 Point Isolated
Additional Engine Access	Removable Engine Access Panel	
Colour	Natural White	
Windscreen Wipers	2 Speed + Intermittent Cycle with Integrated Washer Nozzles	
Rear Vision Mirrors	1 x Internal 2 x External Convex (ECE 46) - Heated	
Seating Capacity	<b>A B</b> 3	<b>C</b> 7
Seat Belts	Lap Sash Belts for Outside Seating Positions Lap Belt for Centre Seat	
Seat (driver)	Suspended with LH Arm Rest Lumbar Support & Weight Adjustment	
Seats (passenger)	Flat Folding, 2 Passenger Bench	
Seats (crew cab rear)	Low Back 4 Passenger Bench Head Rests for Outside Seating Positions	

## SERVICE INTERVALS

Interval*	30,000km, 12 Months or 600 Hours (whichever occurs first)
Notes	* based on normal operating conditions and may be reduced when operating under severe conditions.

## WARRANTY

Basic/Powertrain	5 Years, 200,000kms or 4,000 operating hours (whichever occurs first)
Cab Perforation/Anti Corrosion	5 Years

## PERFORMANCE

Turning Circle (kerb to kerb - metres)	<b>A</b> 11.4	<b>B</b> 13.4	<b>C</b> 13.4
Road Speed (km/h) at Max Engine Speed	123	123	123
Engine Speed (rpm) at 100km/hr (top gear)	2957	2957	2957
Startability at Rated GVM (theoretical)*	51%	51%	51%
Gradeability at Rated GVM (theoretical)*	74%	74%	74%
Notes	*This is theoretical performance only. Actual performance may vary under different conditions		

## MASS (ESTIMATED)\*

Front*	<b>A</b> 1740kg	<b>B</b> 1750kg	<b>C</b> 1910kg
Rear*	820kg	845kg	915kg
Total*	2560kg	2595kg	2825kg
Notes	* Mass (est.) includes oil and water but excludes spare wheel, tools & fuel. Weights provided are subject to 3.5% variation (+/-)		

# SPECIFICATIONS

## MODEL

- A** 4x4 FG Wide Cab SWB 5 Sp. MAN (FGB71CR6SFAC)
- B** 4x4 FG Wide Cab MWB 5 Sp. MAN (FGB71ER6SFAC)
- C** 4x4 FG Wide Crew Cab MWB 5 Sp. MAN (FGB71ER6WFAC)

## WHEEL BASE

- 2815mm
- 3415mm
- 3415mm

## GVM (optional)

- 6500kg (4500kg)
- 6500kg (4500kg)
- 6500kg (4500kg)

## GCM (optional)

- 10,000kg (8000kg)
- 10,000kg (8000kg)
- 10,000kg (8000kg)

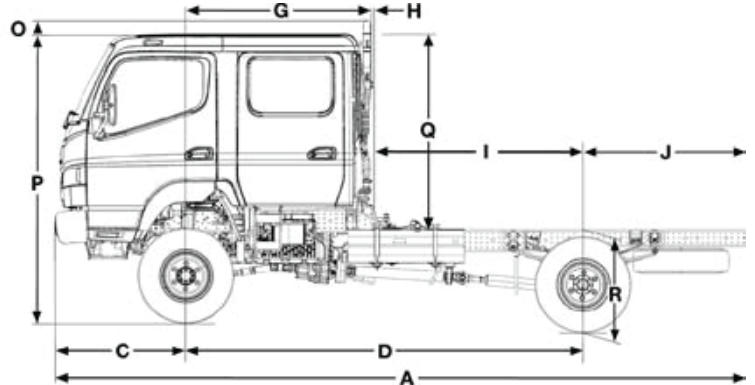
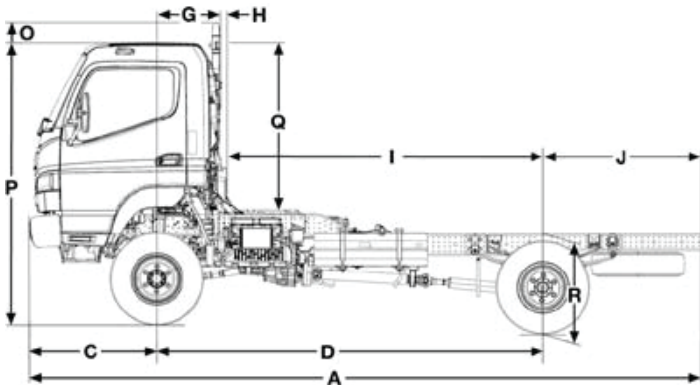
### DIMENSIONS (MM)

	A	B	C
Width Front Fender (mm)	1995	1995	1995
Width Rear Axle (mm)	2030	2030	2030
Width Rear Track (mm)	1560	1560	1560
Width Frame (mm)	750	750	750
A - Length Overall (mm)	5190	5935	5935
C - Front Overhang (mm)	1125	1125	1125
D - Wheelbase (mm)	2815	3415	3415
G - Front Axle to Rear of Cab (mm)	540	540	1540
H - Rear of Cab to Rearmost Item Behind Cab (mm)	81	81	67
I - Rearmost Item Behind Cab to Rear Axle (mm)	2194	2794	1808
J - Frame, Rear Axle to End (mm)	1195	1395	1395
O - Air Intake to Cab Roof (mm)	184	184	117
P - Height Cab to Ground (mm)	2475	2475	2494
Q - Height Cab to Frame (mm)	1504	1504	1674
R - Height Rear Frame to Ground (mm)	881	881	879

### BODY BUILDER'S NOTES

#### Notes

- Chassis reinforcement must be utilised for Tipper/Demountable type body configurations. To conform with ADR 13/00 and 14/02 (lighting/mirror requirements) the following must be adhered to at body installation.
- If overall width exceeds 2.1 metres and other than flat type or tipper body is fitted, rear end-outline markers must be installed.
  - If overall length exceeds 6.0 metres, side reflectors must be installed.
  - If overall length exceeds 7.5 metres and width exceeds 2.1 metres, side marker lamps must be installed.
  - If overall width is less than 2.2 metres, the mirrors must be modified to project not more than 230mm. To conform with ADR 42/04 (General Safety), rear wheel guards must be fitted to the vehicle.



# CALL 1300 429 134

or visit [fuso.com.au](http://fuso.com.au)

# FUSO

Unless specified in writing herein the accessories, applications, bodies or equipment depicted in this document are for illustration purposes only and may not be available from Mercedes-Benz Australia/Pacific Pty Ltd (ABN 23 004 411 410) ("MBAuP"). No representation or warranty whatsoever is given in relation to any accessories, applications, bodies or equipment or suitability of same that are shown herein that may be manufactured, supplied or fitted by a party other than MBAuP. MBAuP reserves the right without notice or obligation to discontinue or make changes to the colour, designs, materials and specifications of the products and options referred to herein at any time. For the most current information and in order to ascertain which accessories, applications, bodies and equipment are available from MBAuP please contact your authorised Mitsubishi FUSO truck and bus dealer. Fuso is a registered trademark of Mitsubishi Fuso Truck & Bus Corporation. Copyright © MBAuP. Reproduction in whole or part prohibited without written approval. Part Number TSC190D-SSV2. Valid from 01-Mar-17.